

Figr.	Vers.	KODEX CODICE CODE	BEZEICHNUNG / DENOMINAZIONE / DESIGNATION / NAME	MODELL / MODELLI MODELES / MODEL	N. Rahmen N° Telaio N° Cadre Frame Nr.	Std Stampa Partie Diagram 3
14A		00H00400501	ELAST. KLAMMER GASLEITUNG FASCETTA ELASTICATUBO BENZINA	CRAMPON ELASTIQUE TUBE ESSENC FUEL PIPE ELASTIC CLAMP	1	
15A		00G00400831	OBERER ANSCHLAG F. TANK HUNTER FERMO SUPERIORE SERBATOIO HUNT	BUTEE SUPERIEURE RESERVOIR HU UPPER TANK STOP	1	
16A		00G00401581	ANSCHLAG UNTEN VORN LI. F. TAN FERMO INFERIORE ANTERIORE SINI	BUT. INF. AVANT GAUCHE RESERV. H LEFT AND RIGHT LOWER TANK STO	1	
17A		00G06200081	ANSCHLAG UNTEN F. TANK HUNTER FERMO INFERIORE SERBATOIO HUNT	BUTEE INF. RESERVOIR HUNTER LOWER TANK STOP	1	
18A		00F03710131	SCHELLE FASCETTA ELASTICA D.8'6	COLLIER ELASTIQUE CLAMP	1	
19A		00G02202971	SCHUTZDECKEL TANK COPERCHIO PROTEZIONE SERBATOIO	COUVERCLE PROTEC. RESERVOIR FUEL TANK PROTECTIVE COVER	1	
20A		00G03702221	OELLEITUNG F. PUMPE HUNTER TUBO OLIO POMPA-RACCORDO HUNTE	TUYAU HUILE POMPE-RACCORD HUN PUMP-CONNECTOR OIL TUBE	1	
21A		00000012510	SCHRAUBE MIT HALBRUNDKOPF 5M80 VITE TESTA TONDA CROCE 5M80X10	VIS T. RONDE CROIX 5M80X10, DIN ROUNDHEAD PHILIPS SCREW, 5M80	1	
22A		00D02600631	SCHEIBE RONDELLA FERMO MOLLA FRIZIONE	ROND. BUTEE RESSORT EMBRAYA. 4- CLUTCH SPRING STOP WASHER	1	
23A		00G01500951	GUMMISTOPPEL APPOGGIO SELLA	APPUI SELLE SADDLE REST	1	
24A		00H03701351	VERBINDUNGSMUFFE OELLEITUNG MANICOTTO UNIONE TUBO OLIO SEN	MANCHON JONCTION TUYAU HUILE OIL PIPE COUPLING HOSE	1	
25A		00G06300771	ANSCHLAG TANK FERMO SERBATOIO	BUTEE RESERVOIR FUEL TANK DAMPER	1	
26A		00G03700651	SCHLAUCH TUBO PROTEZIONE	TUBEE PROTECTEUR HOSE COOLING PROTECTOR OIL TU	1	

Husqvarna

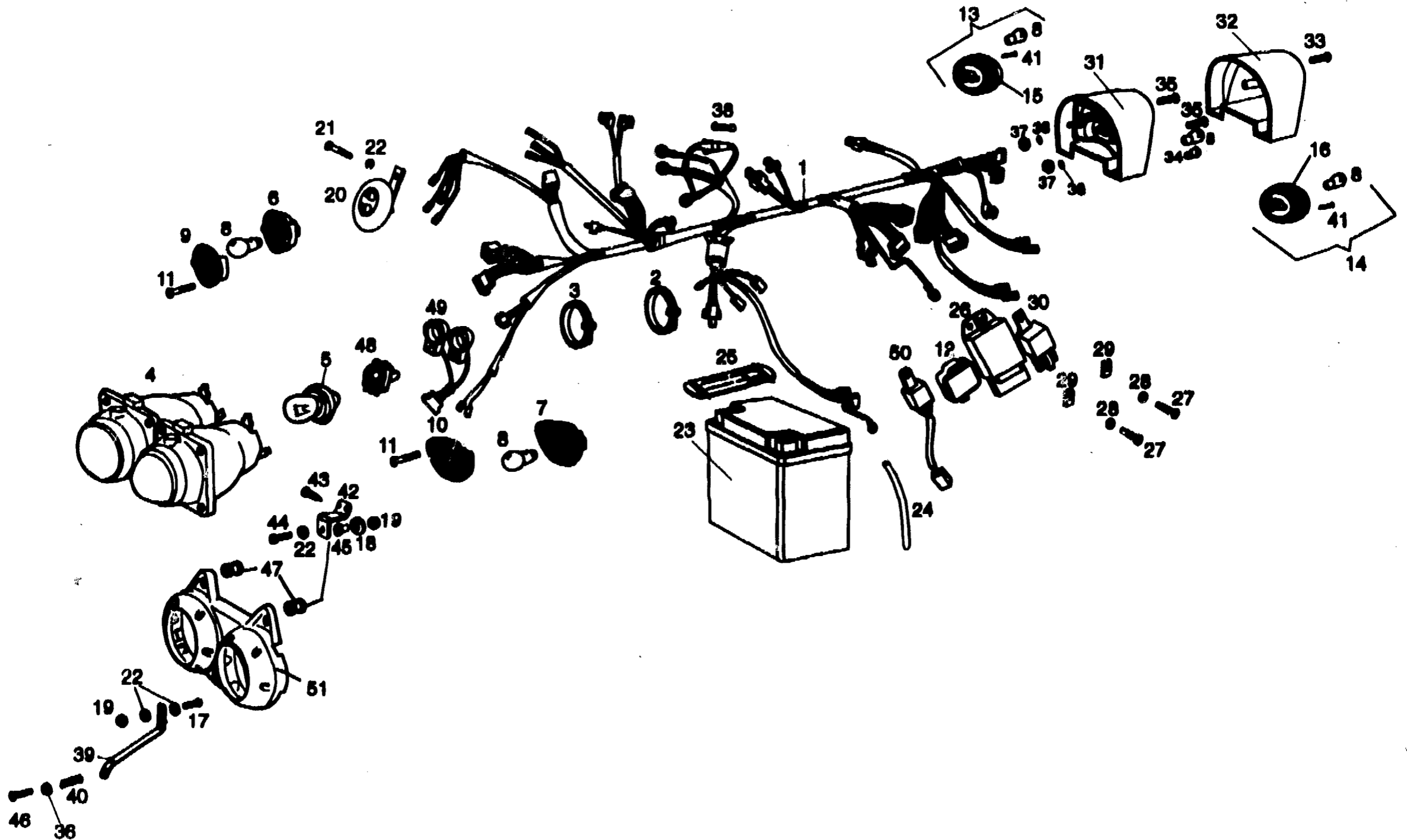
**ELEKTRIKTEILE
IMPIANTO ELECTRICO
INSTALLATION ELECTRIQUE
LIGHTING EQUIPMENT**

**MODELLE / MODELLOS
MODELE / MODELS:**

HUSQVARNA WRS 50

**Blld
Stam.
Feuille
Diagr.**

7



Figr.	Vers.	KODEX CODICE CODE	BEZEICHNUNG / DENOMINAZIONE / DESIGNATION / NAME	MODELL / MODELLI MODELES / MODEL	N. Rahmen N° Telaio N° Cadre Frame Nr.	Stk Stampa Punte Diagram 11
01A		00G01614521	COCKPIT COMPLESSO CRUSCOTTO	ENSEMBLE COMPTEUR APRON INSTRUMENTATION HOLDER	1	
02A		00G01603071	GLAS KILOMETERZAEHLER HUNTER R-VETRO CONTACHILOMETRI HUNTER	R-GLACE COMPTEUR KILOMETRIQUE SPEEDOMETER LENS	1	
03A		00G01602581	LAMPENHALTER/LAMPE 12V.1,2W R-COMPLESSO PORTALAMPADE/LAMPA	R-ENS.PORTE-LAMPE/LAMPE 12V 1 BULB HOLDER AND 12V 1.2W BULB	1	
04A		00G04303601	GEDRUCKTE SCHALTUNG INSTRUM. R-CIRCUITO STAMPATO CRUSCOTTO	R-CIRCUIT IMPRIME TABLIER INSTRUMENT PANEL PRINTED CIRC	1	
05A		00000004512	INBUSSCHRAUBE 5M80X12 VITE TESTA ALLEN 5M80X12 NERO	VIS A TETE CREUSE 5M80X12 NOI ALLEN SCREW M5X12	1	
06A		00000031050	SCHLEIBE D.5. DIN125 RONDELLA PIATTA MECCANIZZATA	ROND.PLATE MECANISEE D.5.DIN1 MACHINED FLAT WASHER D5	1	
07A		00D02600631	SCHLEIBE RONDELLA FERMO MOLLA FRIZIONE	ROND.BUTEE RESSORT EMBRAYA.4- CLUTCH SPRING STOP WASHER	1	
08A		00000023051	MUTTER SELBSTS 5M80.DIN-982 DADO AUTOBOCCANTE 5M80 DIN-982	ECROU INDESSERRABLE 5M80 DIN- SELF-LOCKING NUT 5M80	1	
09A		00G06300861	BEF.-SCHRAUBE ZUSATZ FRONTSCHI VITE FISSAGGIO SUPPLEMENTO SCU	BOUL.SERG.SUPPLE.ECU FR.D.4,5 FRONT SHIELD EXTENSION SECURI	1	
10A		00G02203371	GEHAUSE R-SUBCOMPLESSO CARENATURA ANTE	R-SOUS-ENS.CARC.AV.A/T. FRONT BODY PANEL W/TRANSFERS	1	
11A		00G01502321	SCHRIFTUG ADESIVO	ADHESIF DECAL	1	
12A		00011051601	GEWINDESCHNEIDSCHRAUBE 5,1X16 VITE AUTOFILETTANTE 5,1X16 NER	VIS TARAUD 5,1X16 NOIR CL89H SELF-TAPPING SCREW	1	
13A		00011031401	GEWINDESCHNEIDSCHRAUBE 3,6X14 VITE AUTOFILETTANTE 3,6X14 NER	VIS TARAUD 3,6X14 NOIR CL89H SELF-TAPPING SCREW	1	

Figr.	Vers.	KODEX CODICE CODE	BEZEICHNUNG / DENOMINAZIONE / DESIGNATION / NAME	MODELL / MODELLI MODELES / MODEL	N. Motor N°. Motore N°. Moteur Engine Nr.	Die Stampa Fautte Diagram 14
27A		00G02501641	HALTERUNG EINLASSVENTIL HUNTER COMPLESSO SUPPORTO VALVOLA AM	ENSEMB.SUPPORT VALVE ADMIS.HU REED VALVE BRACKET	1	
28A		00G05001061	BEF.-SCHRAUBE VERGASER-ANSAUGS VITE FISSAGGIO ATTACCO CARBURA	BOUL.SERRAGE BUSE CARBUR.H.(6 INLET MANIFOLD SECURING SCREW	1	
29A		00000012420	SCHRAUBE VITE TONDO CROCE 4M70X20 D798	VIS T.RON.CROIX 4M70X20 D7985 ROUNDHEAD PHILIPS SCREW 4MM-.	1	
30A		00000031040	SCHEIBE D.4 RONDELLA PIATTA MECCANIZZATA D	RONDELLE PLATE MECANISEE D4 N MACHINED FLAT WASHER D4	1	
31A		00000033040	FEDERRING D.4. DIN-127-B. RONDELLA MOLLA D.4 DIN-127 BIA	RONDELLE A RESSORT D.4 DIN127 SPRING WASHER	1	
32A		00G03702021	OELPUMPE HUNTER COMPLESSO POMPA OLIO HUNTER	ENSEMBLE POMPE A HUILE HUNTER OIL PUMP ASSY	1	
33A		00000012515	SCHRAUBE M80X15.DIN7985 VITE TESTA TONDA CROCE 5M80X15	VIS T.RONDE CROIX 5M80X15 DIN ROUNDHEAD PHILIPS SCREW 5M80X	1	
34A		00H03700211	BEF.-SCHELLE GHIERA FISSAGGIO TUBO OLIO AD	BRIDE TUYAU DOHUILE COLLAR OIL FLEXIBLE TUBE	1	
35A		00G03001151	TURBINENDECKEL VAMOS-K. COMPLESSO COPERCHIO VENTOLA VA	ENS.COUCVERCLE DE TURBINE VAMO BLOWER COVER ASSY	1	
36A		00G03601871	BEF.-HUELSE TURBINE GHIERA FISSAGGIO VENTOLA	DOUILLE DE SERRAGE TURBINE BLOWER SECURING BUSH	1	
37A		00G03600991	BEF.-SCHRAUBE TURBINE HUNTER () VITE FISSAGGIO VENTOLA HUNTER	BOULON SERRAGE TURBINE H.(6X1 BLOWER SECURING SCREW	1	
38A		00011062000	SCHRAUBE 6,3X19.D-7981B VITE AUTOFILETTANTE TESTA CROC	VIS TARAUD T.CROIX 6'3X19.D-7 SELF-TAPPING PHILIPS SCREW 6,	1	
39A		00G03002981	ZYLINDER-VERSCHALUNGSDECKEL COMPLESSO CARCASSA EVOLVENTE C	ENS.CARCASSE ENVELOPPE CYLIND CYLINDER CASING ASSY	1	

Figr.	Vers.	KODEX CODICE CODE	BEZEICHNUNG / DENOMINAZIONE / DESIGNATION / NAME	MODELL / MODELLI MODELES / MODEL	N. Motor N° Motore N° Moteur Engine Nr.	Das Stampa Foutie Diagram 18
01A		00G05101561	WERKZEUGSATZ HUNTER COMPLESSO SACCO FERRI HUNTER	ENSEMBLE SAC A OUTILS HUNTER TOOL KIT	1	
02A		00G05100011	ZUENDKERZENSCHLUESSEL HUNTER CHIAVE CANDELA HUNTER	CLE A BOUGIES HUNTER SPARK PLUG SPANNER	1	
03A		00G05300601	SCHRAUBENZIEHER HUNTER CACCIAVITE HUNTER	TOURNEVIS HUNTER SCREWDRIVER	1	
04A		00G05101031	SCHLUESSELGRIF HUNTER MANICO CHIAVE HUNTER	MANCHE DE CLE HUNTER SPANNER HANDLE	1	
05A		00G05203481	DICHTUNGSSATZ R-COMPLESSO GUARNIZIONI	R-JEU DE JOINTS GASKET SET	1	
06A		00G05123651	SCHRIFTZUG KOMPL. COMPL.ADESIVI	JEU ADHESIFS SET OF TRANSFERS	1	
07A		00G06002061	KIT RE. FUSSRASTE F. BEIFAHNER R-COMPLESSO KIT STAFFA DESTRA	R-ENS.KIT MARCHEPIED D.PASSAG PILLION RIGHT FOOTPLATE KIT A	1	
08A		00G06002071	KIT LI. FUSSRASTE F. BEIFAHNER R-COMPLESSO KIT STAFFA SINISTR	R-ENS.KIT MARCHEPIED G.PASSAG PILLION LEFT FOOTPLATE KIT AS	1	
09A		00G02205671	SPIEGEL RE. COMPL.SPECHIO D.	RETROVISEUR D. MIRROW R.	1	
10A		00G04606921	SPIEGEL LI. COMPL.SPECHIO S.	RETROVISEUR G. MIRROW L.	1	
11A		00G05600411	WERKZEUG UTENSILE MONTAGGIO ANELLO SPIN	ENSE.UTIL MONTER ANNEAU BOUL RING SNAP PISTON MOUNTING PIS	1	
12A		80881152520	GEPACK-KOFFER COMPLESSO VALIGIA POSTERIORE	ENS.MALLE ARRIERE REAR LUGGAGE ASSY	1	
13A		00G05300011	WERKZEUG Z. DEMONTAGE ELEKTR. COMPLESSO UTENSILE SMONTAGGIOV	ENS.UTIL DEMONTER VOLANT ELE MAGNETO EXTRACTOR TOOL	1	

1998

Figr.	Vers.	KODEX CODICE CODE	BEZEICHNUNG / DENOMINAZIONE / DESIGNATION / NAME		MODELL / MODELLI MODELES / MODEL	N. Rahmen N° Titolo N° Cadre Frame Nr.	Bla Stampa Foglio Diagram 3
27A		00011031201	GEWINDESCHNEIDSCHRAUBE 3,6X12 VITE AUTOFILETTANTE 3,6X12	VIS TARAUD 3,6X12.CL81Z SELF-TAPPING SCREW	1		

Figr.	Vers.	KODEX CODICE CODE	BEZEICHNUNG / DENOMINAZIONE / DESIGNATION / NAME	MODELL / MODELLI MODELES / MODEL	N. Rahmen N°. Telaio N°. Cadre Frame Nr.	Bild Stampa Foglio Diagram 7
01A		00G01007301	KABELSTRANG HUNTER COMPLESSO IMPIANTO ELETTRICO H	ENS. INSTALLATION ELECTRIQUE H WIRING HARNESS	1	
02A		00F00900531	KABELBINDER FLANGIA NERA UNIONE CAVI SCO.B	BRIDE N.CONNEX.-CABLES S-EN.B BLACK CABLE TIE	1	
03A		00D00900531	SCHELLE FLANGIA UNISCI-CAVI NERA.ITW	COLLIER FIX EILERIE CABLE TIE	1	
04A		00G01016011	SCHEINWERFER COMPLESSO FARO ANT.	ENSEMBLE PHARE AV. HEADLAMP ASSY	1	
05A		00F01000131	LAMPE LAMPADA FARO 12V.15W. SCO.IT/9	LAMPE PHARE HEADLIGHT BULB	1	
06A		00G01702021	BLINKER VORNE RECHTS COMPLESSO FARO INDICATORE DIR.	ENS.CLIGNOTANT AVANT DROIT FRONT RIGHT INDICATOR LIGHT A	1	
07A		00G01702311	BLINKER VORNE LINKS COMPLESSO FARO INDICATORE DIRE	ENS.CLIGNOTANT AVANT GAUCHE H FRONT LEFT INDICATOR LIGHT AS	1	
08A		0000A517011	BLINKLICHTLAMPE 12V10W LAMPADA FARO INDICATORI DIREZI	TUBE PHARES CLIGNOTANTS 12V 1 INDICATOR LIGHT BULB 12V 10W	1	
09A		00G01702102	BLINKERGLAS VORN RE. R-GRUPO OTTICO INDICATORE DIRE	R-GLACE DE CLIGNOTANT AVANT D FRONT RIGHT INDICATOR LENS	1	
10A		00G01702072	BLINKERGLAS VORN LI. R-GRUPPO OTTICO INDICATORE DIR	R-GLACE CLIGNOTANT AVANT GAU. FRONT LEFT INDICATOR LENS	1	
11A		00G01700091	BEF.-SCHRAUBE BLINKERGLAS VITE FISSAZ.VETRO LAMPEGGIANTI	BOULON SERRAGE GLACE CLIGNOTA INDICATOR LENS SECURING SCREW	1	
12A		00G01700401	BLINKGEBER COMPLESSO CENTRALE INDICATORI	ENSEMBLE CENTRAL CLIGNOTANTS INDICATOR UNIT	1	
13A		00G01700301	BLINKER HINTEN RECHTS COMPLESSO FARO INDICATORE DIRE	ENS.CLIGNOTANT ARR.DROITE REAR RIGHT INDICATOR LIGHT AS	1	

Figr.	Vers.	KODEX CODICE CODE	BEZEICHNUNG / DENOMINAZIONE / DESIGNATION / NAME	MODELL / MODELLI MODELES / MODEL	N. Rahmen N° Telaio N° Cadre Frame Nr.	Std Stampa Foglio Diagram 11
14A		00G01009521	COCKPITVERKLEIDUNG OBEN HUNTER CARENATURA POSTERIORE HUNTER	CARCASSE ARRIERE HUNTER REAR BODY PANEL	1	
15A		00H01501701	BEF.-SCHRAUBE VORDERE DECKEL VITE FISSAGIO COPERCHI ANTERIO	BOULON SERRAGE COUVERCLE ARRI FRONT COVER SECURING SCREW	1	
16A		00011035001	GEWINDESCHNEIDSCHRAUBE 3,6X50 VITE AUTOAVVIT.3,6X50 NERA	VIS TARAUD 3,6X50 NOIR CL89H SELF-TAPPING SCREW	1	
17A		00D00900531	SCHELLE FLANGIA UNISCI-CAVI NERA. ITW	COLLIER FIX EILERIE CABLE TIE	1	
18A		00G01501381	FEDER F.KABELFUEHRUNG KILOMET. MOLLA GUIDA CAVO CONTACHILOME.	RES.GUIDE CABLE COMT.KMS. SPEEDOMETER CABLE SLEEVE GUID	1	
19A		00G01800751	ABDECKUNG TAPPO TRAPANI	BOUCHON PLUG	1	
20A		00G01601581	LAMPE 12V.2W. COMPL.PORTALAMPADA 12V. 2W.	ENSEMBLE PORTE-LAMPE/LAMPE SOCKET, BULB	1	
21A		00G06700021	KABEL KILOMETERZAEHLER MIT RUE COMPLESSO CAVO CONTACHILOMETRI	ENS.CABLE COMP.KILOM. A/RENVO SPEEDOMETER CABLE AND TRANSFE	1	
22A		00G02100401	SILENTBLOCK SUBCOMPLESSO SILENTBLOCK FISSA	SOUS-ENS.SILENTBLOC FIX.PROT. LEVER SHIELD SECURING BUSHING	1	
23A		00008052000	SCHRAUBE VITE TESTA TONDA 5M80X20	BOULON BOMBEE ALLEN 5M80X20 ALLEN ROUND HEAD SCR.5M80X20	1	
24A		00G01504781	SCHRIFTZUG ADESIVO	ADHESIF DECAL	1	

Figr.	Vers.	KODEX CODICE CODE	BEZEICHNUNG / DENOMINAZIONE / DESIGNATION / NAME		MODELL / MODELLI MODELES / MODEL	N. Motor N°. Motore N°. Moteur Engine Nr.	BND Stampa Feuille Diagram 14
40A		00G03701111	OELAUSSLASS-LEITUNG VAMOS-K. TUBO USCITA OLIO VAMOS-K	TUYAU SORTIE HUILE VAMOS-K OIL OUTLET PIPE	1		
41A		00H03800451	SCHLAUCHSCHELLE FASCETTA BOCCA PIENO ACQUA	COLLIER CLAMP	1		
42A		00G06400141	HANDPROTECTOR PROTEZIONE	PROTECTEUR PROTECTOR	1		
43A		00G06400151	DICHTGUMMI PROFILO	PROFIL PROFILE	1		

Figr.	Vers.	KODEX CODICE CODE	BEZEICHNUNG / DENOMINAZIONE / DESIGNATION / NAME	MODELL / MODELLI MODELES / MODEL	N. Motor N° Motore N° Moteur Engine Nr.	BND Stampa Foglio Diagram 18
14A		00G05600371	WERKZEUG PLEUELHALTER UTENSILE FISSAGGIO BIELLA	OUTIL FIXATION BIELLE. CONNECTING ROD TOOL	1	
15A		00F05400451	WERKZEUG Z. MONT. KURBELWELLEN PRESELLO MONT.TENUTE ALB.GOMIT	R-POIN.MONT.JOINTS VILEBR.UR CRANKCASE SEAL MOUNTING PUNCH	1	
16A		00F05300841	FUEHRUNGSBUCHSE KURBELWELLEN-R GHIERA GUIDA TENUTA ALB.DES.U	DOUILLE GUID.JOINT VILEBRE DR RIGHT CRANKCASE SEAL GUIDE BU	1	
17A		00G05300151	ABZIEHER Z. OEFFNEN D. MOTORS COMP.UTENSILE APRIRE MOTORE	ENSEMBLE OUTIL OUVERTURE MOTE ENGINE SEPARATOR TOOL	1	
18A		00F01810411	SCHLUSSEL CHIAVE	CLEF LOCK KEYS	1	
19A		00G02202371	WINDSCHUTZSCHEIBE VORN HUNTER COMPLESSO PARABREZZA ANTERIORE	ENS. PARE-BRISE AVANT HUNTER WINDSCREEN KIT ASSY	1	
20A		00G01500311	GUMMISTOPPEL L. TAPATAL.S.PARABREZZA	CAOUTCHUC D. LEFT CAP WINDSHIELD	1	
21A		00G06302451	GUMMINTOPPEL R. TAPATAL.D.PARABREZZA	CAOUTCHUC G. RIGHT CAP WINDSHIEL	1	
22A		00G05300981	BEF.- WKZG. KUPPLUNGSGLOCKE R-COMPLESSO UTILE FISSAGGIO	OUTIL FIXATION TOOL	1	
23A		00G05600421	GERA,T UTILE	OUTIL TOOL	1	



**BESTIMMUNG DER VERSCHIEDENEN MODELLE IN DIESEM KATALOG:
IDENTIFICAZIONE DEI MODELLI RAPPRESENTATI IN QUESTO CATALOGO SECONDO I NUMERI DA SEGUITO:
IDENTIFICATION DES MODELES REPRESENTES DANS CE CATALOGUE, EN FONCTION DES CODES SUIVANTS:
THE MODELS REFERRED INTO THIS CATALOGUE ARE IDENTIFIED BY FOLLOWING NUMBERS:**

**MODELL
MODELLI
MODELE
MODEL**

**BEZEICHNUNG
DENOMINAZIONE
DENOMINATION
MODEL NAME**

1 HUSQVARNA WRS 50

JUNIO 1998

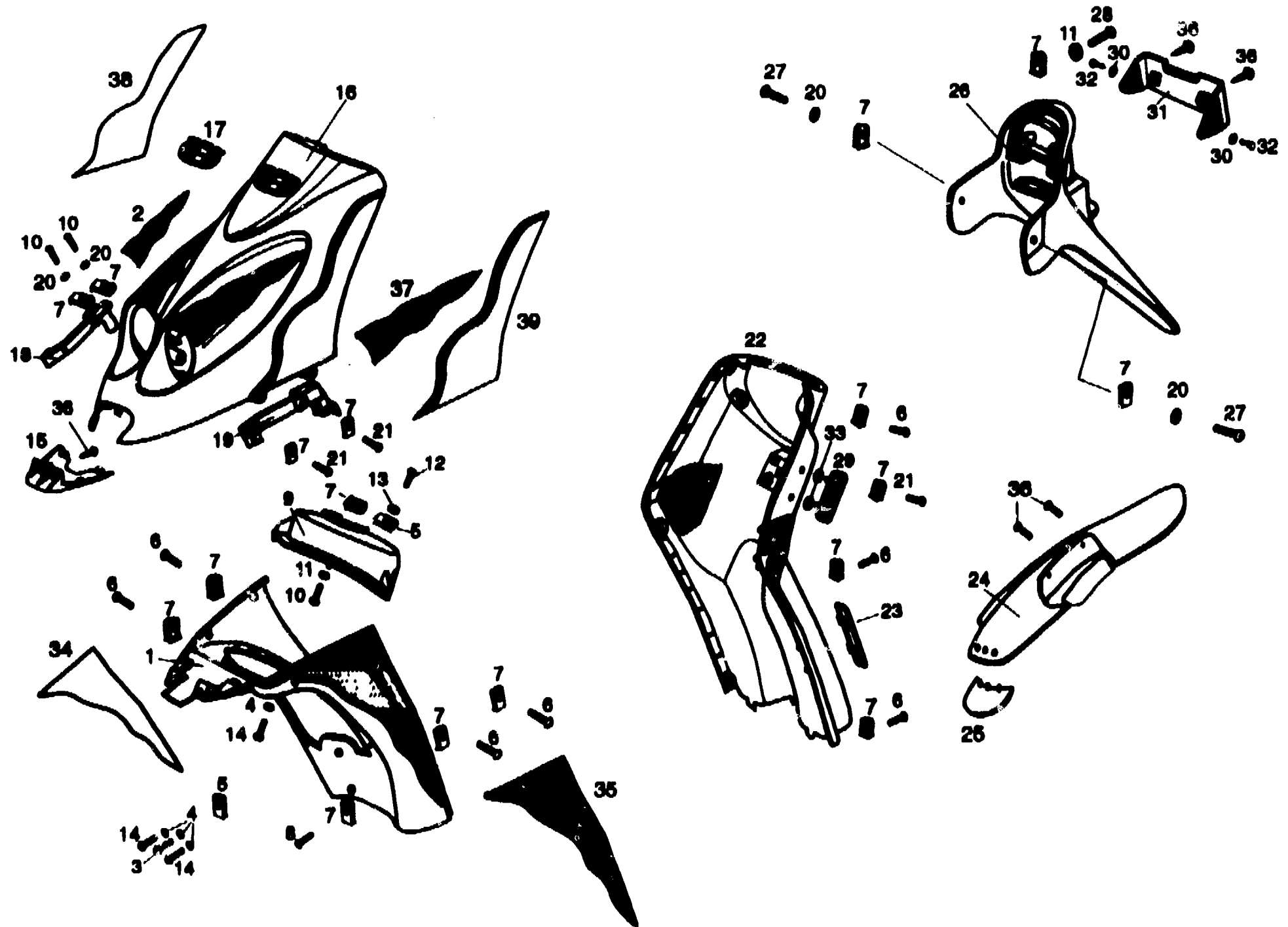
Husqvarna

**VERKLEINDUNGSTEILE
MONTAGGIO TELAIO
MONTAGE CHASSIS
FRAME ASSEMBLY**

**MODELLE / MODELLOS
MODELE / MODELS:**

HUSQVARNA WR8 50

**Blatt
Stam.
Feuille
Diagr.
4**



Figr.	Vers.	KODEX CODICE CODE	BEZEICHNUNG / DENOMINAZIONE / DESIGNATION / NAME	MODELL / MODELLI MODELES / MODEL	N. Rahmen N°. Telaio N°. Cadre Frame Nr.	BW Stampa Foglio Diagram 7
14A		00G01700391	BLINKER HINTEN LINKS COMPLESSO FARO INDICATORE DIRE	ENS.CLIGNOTANT ARR.GAUCHE REAR LEFT INDICATOR LIGHT ASS	1	
15A		00G01702891	BLINKERGLAS RE. HI. VETRO INTERMITTENTE POST.DESTR	GLACE CLIGNOTANT ARRIERE DROI LENS, TURN SIGNAL REAR LH	1	
16A		00G01702901	BLINKERGLAS LI. HI. VETRO INTERMITTENTE POST.SINIS	GLACE CLIGNOTANT ARRIERE GAUC LENS, TURN SIGNAL REAR LH	1	
17A		00G012161600	SCHRAUBE 6M100X16 D-7985 VITE TESTA CROCE NERA 6M100X1	VIS T.CROIX NOIR 6M100X16 D-7 PHILIPS SCREW	1	
18A		00D01200171	SCHLEIBE RONDELLA ASSE LEVA FISSAGGIO C	ROND.AXE CAME FIX.COUVRE-CHAI WASHER	1	
19A		00000023060	MUTTER DADO AUTOBLOCCANTE 6M100.D-985	ECROU INDESSERRABLE 6M100.DIN SELF-LOCKING NUT M6	1	
20A		00F01001311	HUPE 12V-DC/0450-A.SC/91 COMPLESSO CLACSON 12V CC/0450-	E.AVERTISSEUR 12V.DC/0450-A.S HORN ASSEMBLY	1	
21A		00000004610	SCHRAUBE VITE TESTA ALLEN 6M100X10 DIN	VIS A TETE CREUSE 6M100X10.DI ALLEN SCREW M6X10	1	
22A		00000031060	SCHLEIBE D.6. RONDELLA PIATTA MECCANIZZATA D	ROND. PLATE MECANISEE D6DIN12 MACHINED FLAT WASHER D6 DIN-1	1	
23A		00F03300401	BATTERIE.12V. 4AH. BATTERIA 12V. 4 AO STARTER AVV	BATTERIE.12V. 4AH. START.A.EL BATTERY 12V.4AH.	1	
24A		00G04400601	BATTERIE-ENTLUEFTUNGSSCHLAUCH TUBO DEVAPORIZZAZIONE BATTERIA	TUYAU DEVAPORISATION BATTERIE BATTERY BREATHER TUBE	1	
25A		00G01801361	BEF.-FLANSCH BATTERIE HUNTER SUBCOMPLESSO FLANGIA FISSAGGIO	SOUS-ENS.BRIDE FIX.BATTERIE H BATTERY SECURING CLAMP SUB-AS	1	
26A		00G01000841	SPANNUNGSREGLER REGOLATORE CA/CC	REGULATEUR AC/DC. VOLTAGE REGULATOR	1	

Husqvarna

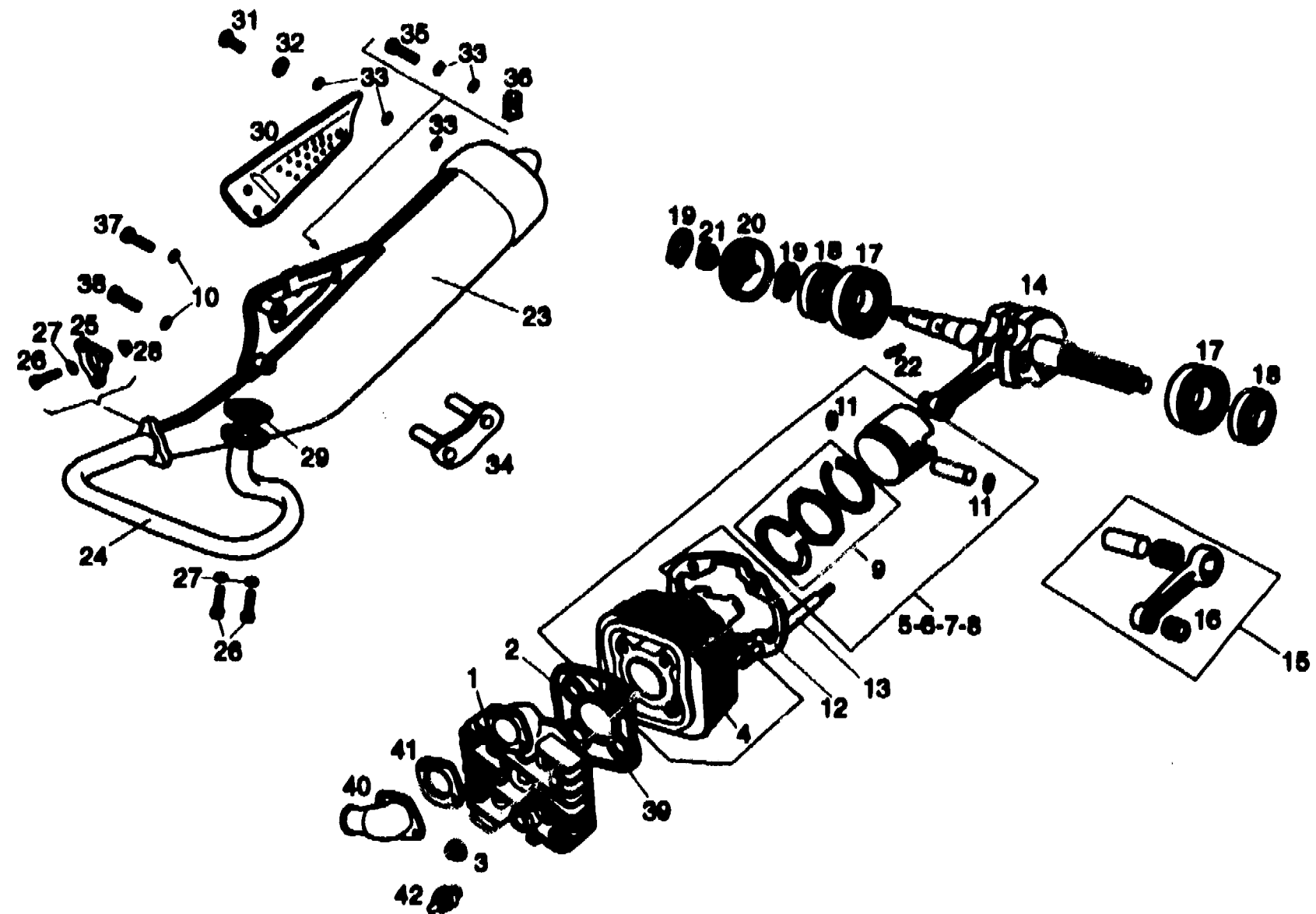
KURBELWELLE UND PleVEL - ZYLINDER UND KOLBEN - ZYLINDERKOPF - AUSPUFF UND SCHALLDÄMPFER
ALBERO BIELLA - CILINDRO PISTONE - TESTA - TUBO DI SCARICO
VILLEBREGUIN BIELLE - CYLINDRE ET PISTON - CULASSE - ECHAPPEMENT ET SILENCIEUX
CRANKSHAFT ASSY. - CYLINDER AND PISTON - CYLINDER HEAD - EXHAUST PIPE AND MUFFLER

MODELLE / MODELLOS
MODELE / MODELS:

HUSQVARNA WRB 50

Bild
Stam.
Feuille
Diagr.

12

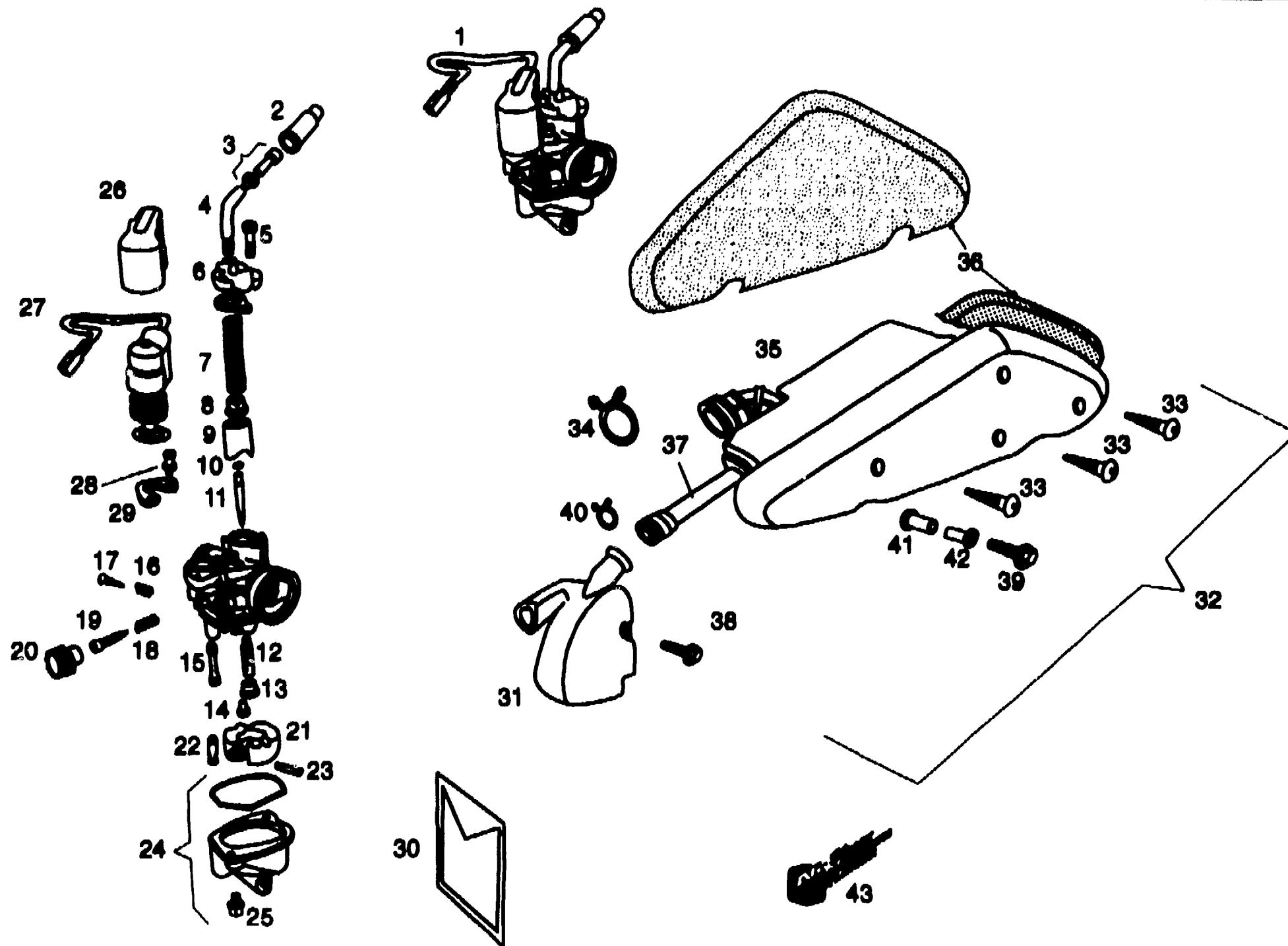


Husqvarna

**VERGASER
CARBURATORE
CARBURATEUR
CARBURETOR**

**MODELLE / MODELLOS
MODELE / MODELS:
HUSQVARNA WRS 50**

**Bild
Stam.
Folie
Diagr.
15**



KODEX CODICE CODE	BLD STAMPA FEUILLE DIAGR.	FIG.	VERS.	KODEX CODICE CODE	BLD STAMPA FEUILLE DIAGR.	FIG.	VERS.	KODEX CODICE CODE	BLD STAMPA FEUILLE DIAGR.	FIG.	VERS.	KODEX CODICE CODE	BLD STAMPA FEUILLE DIAGR.	FIG.	VERS.
00D00900531	007	03A		00F01000131	007	05A		00G00401581	003	16A		00G01000841	007	26A	
00D00900531	011	17A		00F01000791	007	34A		00G00405011	003	01A		00G01001821	007	45A	
00D01000701	006	35A		00F01001311	007	20A		00G00600201	005	35A		00G01002111	007	48A	
00D01200171	004	11A		00F01010911	007	38A		00G00601181	005	34A		00G01002321	007	31A	
00D01200171	010	16A		00F01201121	008	14A		00G00604141	005	36A		00G01002341	007	32A	
00D01200171	005	18A		00F01204111	008	02A		00G00622011	003	09A		00G01007301	007	01A	
00D01200171	007	18A		00F01810411	018	18A		00G00700051	010	27A		00G01009521	011	14A	
00D01200171	016	24A		00F02601401	013	23A		00G00701141	004	24A		00G01016011	007	04A	
00D01500471	017	20A		00F02900051	013	40A		00G00705451	004	35A		00G01200151	014	19A	
00D01500551	017	19A		00F02900711	013	42A		00G00705491	004	34A		00G01200241	009	05A	
00D01501371	004	07A		00F03200021	015	03A		00G00708431	004	01A		00G01200721	009	08A	
00D01501371	010	13A		00F03300401	007	23A		00G00711025	004	02A		00G01200911	009	07A	
00D01501371	005	29A		00F03601111	013	08A		00G00800051	005	06A		00G01201271	008	07A	
00D02500271	005	04A		00F03710131	003	18A		00G00800071	005	03A		00G01202021	008	09A	
00D02600631	004	04A		00F03710241	003	06A		00G00800081	005	02A		00G01202193	008	15A	
00D02600631	011	07A		00F03740111	003	11A		00G00800221	005	01A		00G01202952	008	01A	
00D02600631	010	09A		00F04201361	012	33A		00G00801071	005	14A		00G01300231	009	06A	
00D02600631	003	22A		00F04700121	008	16A		00G00802011	005	13A		00G01300271	009	18A	
00D02600631	012	32A		00F05300841	018	16A		00G00900211	006	29A		00G01300321	009	02A	
00D02600631	007	36A		00F05400451	018	15A		00G00900861	006	23A		00G01300831	009	14A	
00D02600631	005	39A		00G00200071	002	09A		00G00901201	006	12A		00G01300931	009	04A	
00D02600631	006	44A		00G00200111	002	02A		00G00901531	006	32A		00G01302121	009	09A	
00D02600631	017	40A		00G00201081	002	03A		00G00902011	006	01A		00G01302191	009	17A	
00E02000651	002	06A		00G00201341	004	09A		00G00902171	006	20A		00G01401181	001	17A	
00E02000661	002	08A		00G00201441	002	20A		00G00902431	006	31A		00G01401251	001	18A	
00F00400771	003	03A		00G00202231	002	27A		00G00902751	006	17A		00G01401301	001	24A	
00F00700381	004	25A		00G00203012	002	10A		00G00904081	006	06A		00G01407191	001	15A	
00F00900271	006	30A		00G00203171	002	12A		00G00904071	006	26A		00G01500311	018	20A	
00F00900531	007	02A		00G00204002	002	01A		00G00904091	006	07A		00G01500511	001	04A	
00F00900531	006	22A		00G00400131	003	02A		00G00905891	006	24A		00G01500711	004	32A	
00F00901151	006	08A		00G00400181	003	10A		00G01000081	007	42A		00G01500951	003	23A	
00F00910291	006	27A		00G00400831	003	15A		00G01000441	007	51A		00G01501091	010	25A	

Husqvarna

**RHAMEN
TELAIO
CADRE
FRAME**

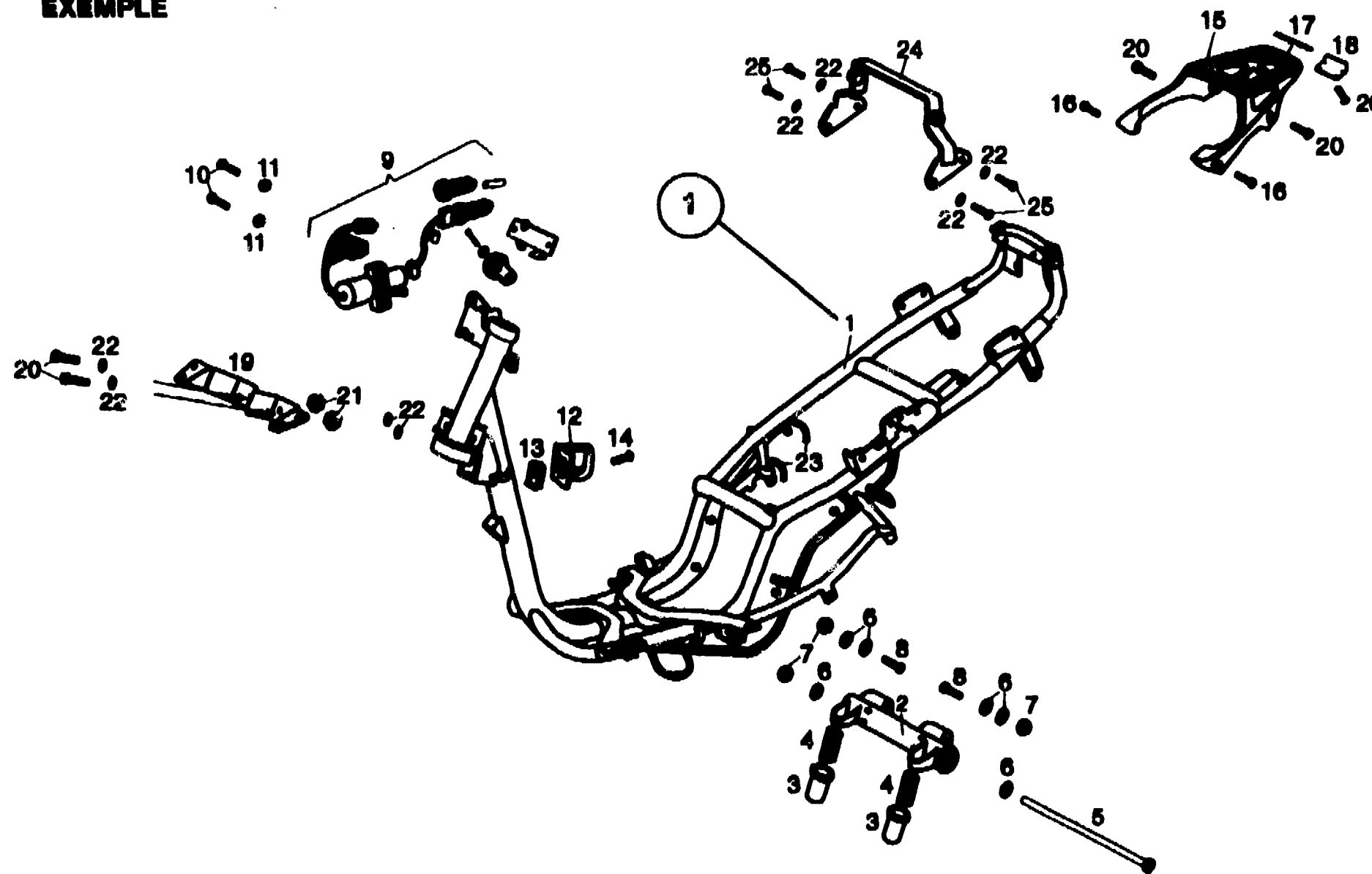
**MODELLE / MODELLOS
MODELE / MODELS:**

HUSQVARNA WRS 50

**Bild
Stam.
Folie
Diagr.**

1

**EXEMPEL
ESEMPIO
EXEMPLE
EXEMPLE**



Figr.	Verz.	KODEX CODICE CODE	BEZEICHNUNG / DENOMINAZIONE / DESIGNATION / NAME	MODELL / MODELLI MODELES / MODEL	N. Rahmen N°. Telaio N°. Cadre Frame Nr.	Stamps Fauts Diagram 4
01A		00G00708431	RADSCHUTZ VORN SUBCOMPLESSO PARAFANGHI ANTERI	R-S.ENS.G.BOUÉ AV. FRONT MUDGUARD SUB-ASSY	1	
02A		00G04606091	SCHRIFTZUG DECALCO	ADHESIF DECAL	1	
03A		00012051200	SCHRAUBE 5M80X12 NG.D-7985 VITE T/CROCE 5M80X12 NERA D-79	VIS T.RONDE CROIX 5M80X12.N.D ROUNDHEAD PHILIPS SCREW	1	
04A		00D02600631	SCHEIBE RONDELLA FERMO MOLLA FRIZIONE	ROND BUTEE RESSORT EMBRAYA.4- CLUTCH SPRING STOP WASHER	1	
05A		00H01500691	BEF.-CLIPVERK. D.5 DADO FISSAGGIO CARENATURA A SU	ECROU FIX.CARENAGE AU SUPPORT FAIRING SECURING NUT	1	
06A		00H01501701	BEF.-SCHRAUBE VORDERE DECKEL VITE FISSAGGIO COPERCHI ANTERIO	BOULON SERRAGE COUVERCLE ARRI FRONT COVER SECURING SCREW	1	
07A		00D01501371	SICHERUNGSMUTTER BEF. KETTENS DADO FISSAGGIO COPRICATENA .21	ECROU FIX. GARDE-CHAINE 21309 NUT	1	
08A		00008061500	SCHRAUBE MIT HALBRUNDKOPF 6M10 VITE T/TON.BRUGO.6M100X16.D738	VIS T.RONDE CREUSE 6M100X16.D ALLEN ROUND HEAD SCREW 6M100X	1	
09A		00G00201341	GABELABDECKUNG UNTEN PROTETTORE FLANGIA FORCELLA HU	PROTECTION PLATINE FOURCHE H. FORK PLATE PROTECTOR	1	
10A		00004061600	INBUSSCHRAUBE 6M100X16.D-912/8 VITE T/BRUGO.6M100X16.D912.8.8	VIS T.CREUSE 6M100X16.D-912/8 ALLEN SCREW M6X16	1	
11A		00D01200171	SCHEIBE RONDELLA ASSE LEVA FISSAGGIO C	ROND.AXE CAME FIX.COUVRE-CHAI WASHER	1	
12A		00000012510	SCHRAUBE MIT HALBRUNDKOPF 5M80 VITE TESTA TONDA CROCE 5M80X10	VIS T.RONDE CROIX 5M80X10,DIN ROUNDHEAD PHILIPS SCREW, 5M80	1	
13A		00000031050	SCHEIBE D.5. DIN125 RONDELLA PIATTA MECCANIZZATA	ROND.PLATE MECANISEE D.5.DIN1 MACHINED FLAT WASHER D5	1	

Figr.	Vers.	KODEX CODICE CODE	BEZEICHNUNG / DENOMINAZIONE / DESIGNATION / NAME	MODELL / MODELLI MODELES / MODEL	N. Rahmen N°. Telaio N°. Cadre Frame Nr.	DM Stampa Poutte Diagram 7
27A		00000074515	INBUSSCHRAUBE 5M80X15 D912/8.8 VITE TESTA ALLEN 5M80X15.DIN-9	VIS T.CREUSE 5M80X15 D912/8.8 ALLEN SCREW M5X15	1	
28A		00000031050	SCHEIBE D.5. DIN125 RONDELLA PIATTA MECCANIZZATA	ROND.PLATE MECANISEE D.5.DIN1 MACHINED FLAT WASHER D5	1	
29A		00H01500691	BEF.-CLIPVERKL. D.5 DADO FISSAGGIO CARENATURA A SU	ECROU FIX.CARENAGE AU SUPPORT FAIRING SECURING NUT	1	
30A		00G03900011	STARTERRELAIS HUNTER COMPLESSO RELT AVVIAMENTO ELET	ENS.RELAIS DEMARRAGE ELECT.HU ELECTRIC START RELAY	1	
31A		00G01002321	RUECKLICHT KOMPLETT HUNTER COMPLESSO FANALINO POSTERIORE	ENSEMBLE PHARE FEU ARRIERE HU REAR LIGHT ASSY	1	
32A		00G01002341	RUECKLICHTGLAS GRUPPO OTTICO FANALINO POSTERI	GLACE PHARE FEU ARRIERE HUNTE REAR LIGHT LENS	1	
33A		00011033200	GEWINDESCHNEIDSCHRAUBE 3,5 X 3 VITE AUTOFILETTANTE TESTA CROC	VIS TARAUD T.CROIX 3,5X32.DIN SELF-TAPPING PHILIPS SCREW 3,	1	
34A		00F01000791	BIRNE 12V 4W RUCKLICHT LAMPADA LUCE POSIZIONE 12V 4W	LAMPE DE POSITION 12V. 4W. BA PILOT LIGHT BULB 12V 4W	1	
35A		00000002525	INBUSSCHRAUBE 5M80X25.DIN VITE TESTA ESAGONALE 5M80X25 D	VIS TETE HEXAGONALE 5M80X25.D HEX HEAD SCREW	1	
36A		00D02600631	SCHEIBE RONDELLA FERMO MOLLA FRIZIONE	ROND.BUTEE RESSORT EMBRAYA.4- CLUTCH SPRING STOP WASHER	1	
37A		00000023051	MUTTER SELBSTS 5M80.DIN-982 DADO AUTOBOCCANTE 5M80 DIN-982	ECROU INDESSERRABLE 5M80 DIN- SELF-LOCKING NUT 5M80	1	
38A		00F01010911	SICHERUNG 4AH. FUSIBILE 4AO SCOOTER-50 ITALIA	FUSIBLE 4 AH.SCO-50.ITAL./89. FUSE, 4 A	1	
39A		00G02301511	STELLKLEMME SCHWEINWERFER HUNT ORECCHIA REGOLAZIONE FARO ANTE	LANGUETTE REGUL.PHARE AVANT H HEADLAMP ADJUSTER LUG	1	

Figr.	Vers.	KODEX CODICE CODE	BEZEICHNUNG / DENOMNAZIONE / DESIGNATION / NAME	MODELL / MODELLI MODELES / MODEL	N. Motor N°. Motore N°. Moteur Engine Nr.	Bild Stampa Poutle Diagram 12
01A		00G02503011	ZYLINDERKOPF TESTA.	CULASSE CYLINDER HEAD	1	
02A		00G02501021	ZYLINDERKOPFDICHTUNG GUARNIZIONE TESTATA VAMOS	JOINT EN CULASSE VAMOS CYLINDER HEAD GASKET	1	
03A		00026006002	SECHSKANIMUTTER MIT FLANSCH 6M DADO ESTERNO TESTA FLANGIA 6M1	ECROU HEX.A/BRIDE 6M100.D6923 HEX NUT WITH FLANGE	1	
04A		00G05005121	ZYLINDER MIT KOLBEN COMPLESSO CILINDRO PISTONE	ENSEMBLE CYLINDRE-PISTON CYLINDER AND PISTON ASSY	1	
05A		00G02507091	KOLBEN KOMPL(A) COMPLESSO PISTONE(A)	ENSEMBLE PISTON(A) PISTON(A)	1	
06A		00G02508091	KOLBEN KOMPL(B) COMPLESSO PISTONE(B)	ENSEMBLE PISTON(B) PISTON(B)	1	
07A		00G02509091	KOLBEN KOMPL(C) COMPLESSO PISTONE(C)	ENSEMBLE PISTON(C) PISTON(C)	1	
08A		00G02510091	KOLBEN KOMPL(D) COMPLESSO PISTONE(D)	ENSEMBLE PISTON(D) PISTON(D)	1	
09A		00G05006101	KOLBENRINGSATZ COMP.-CERCHI PISTONE E MOLLA	JEU DE-SEGMENTS RING, SET, PISTON	1	
10A		00000033100	FEDERRING D.10.DIN-127-B. RONDELLA MOLLA D.10 DIN-127-B	RONDELLE A RESSORT D.10.DIN12 SPRING WASHER D.10 DIN-127-B	1	
11A		00G02501131	KOLBENBOLZENSICHERUNG ANELLO SPINOTTO	R-ANNEAU BOULON RING SNAP	1	
12A		00G02502041	ZYLINDERFUSSDICHTUNG GUARNIZIONE BASE CILINDRO	JOINT CYLINDRE CYLINDER GASKET	1	
13A		00G03002051	BEF.-BOLZEN ZYLINDER PRIGIONIERO FISSAGGIO CILINDR.	GOUJON FIXATION CYLINDRE CYLINDER STUD	1	

Figr.	Vers.	KODEX CODICE CODE	BEZEICHNUNG / DENOMINAZIONE / DESIGNATION / NAME	MODELL / MODELLI MODELES / MODEL	N. Motor N°. Motore N°. Moteur Engine Nr.	BW Stamps Fouille Diagram 15
01A		00G03212011	VERGASER KOMPL. COMPLESSO CARBURATORE	ENSEMBLE CARBURATEUR CARBURETOR	1	
02A		00G03201561	KAPUZE GAS-KABEL VM.AU.40K. COPERCHIO CAVO BENZINA VM AU.4	R-CAPUCHON CABLE ESS.VM.AU.40 THROTTLE CABLE RUBBER CAP	1	
03A		00F03200021	SPANNSCHRAUBE GAS-KABEL COMP.TENDITORE CAVO BENZ.	R-ENS.VIS'-TENDEUR DE CABLE ES THROTTLE CABLE ADJUSTER SCREW	1	
04A		00G03200761	SPEISEROHR GAS-KABEL R- TUBO CAVO GAS VAMOS AUS 40	R-TUYAU CABLE ESSEN.VAM.AU.40 THROTTLE CABLE SLEEVE	1	
05A		00G03200061	BEF.-SCHRAUBE DECKEL MISCHKAMM R-VITE FISSAGIO COPERCHIO CAME	R-BOUL.SER.COUV.CHAMBRE MEL.V MIXING CHAMBER COVER SECURING	1	
06A		00G03201231	MISCHKAMMER-DECKEL COPERCHIO CAMERA MISCELA	R-COUV.CHAMBRE MELANGE VM.AU. CARBURETOR UPPER COVER	1	
07A		00G03201071	FEDER FUR GASVENTIL R- MOLLA VALVOLA GAS VAMOS AUS	R-RESSORT VALVE ESS.VAM.AU.40 THROTTLE VALVE RETURN SPRING	1	
08A		00G03200511	BUCHSE DUESENNADEL VA.AU.40 R- GHIERA SPILLO SPRUZZATORE V	R-DOUILLE AIGUI.PULVERZ.VA.AU NEEDLE BUSHING	1	
09A		00H03201211	GASSCHIEBER R-VALVOLA GAS D.30	BOISSEAU SLIDE	1	
10A		00G03201371	KLAMMER DUESENNADEL VAM.AU.40 R-MORSA SPILLO SPRUZZATORE V	R-PINCE AIGUI.PULVERZ.VAM.AU. NEEDLE CIRCLIP	1	
11A		00G03201431	DUESENNADEL VAM.AUS.40K/H R-SPILLO SPRUZZATORE VAMOS AUS	R-AIGUILLE PULVERZ.VAM.AU.40K NEEDLE	1	
12A		00G03203421	ZERSTAUBERDUSE GA209 SPPUZZATORE GA209	PULVERISATERUR GA209 NEEDLE.JET GA209	1	
13A		00G03209031	HAUPTDOSE 54 GETTO MAX.54	GLICEUR PRINCIPAL 54 MAIN JET 54	1	

KODEX CODICE CODE	BLD STAMPA FEUILLE DIAGR.	FIG.	VERB.	KODEX CODICE CODE	BLD STAMPA FEUILLE DIAGR.	FIG.	VERB.	KODEX CODICE CODE	BLD STAMPA FEUILLE DIAGR.	FIG.	VERB.	KODEX CODICE CODE	BLD STAMPA FEUILLE DIAGR.	FIG.	VERB.
00G01501381	011	18A		00G01800901	012	38A		00G02207251	004	17A		00G02605821	013	22A	
00G01501572	004	31A		00G01801941	010	29A		00G02300091	007	47A		00G02801901	013	30A	
00G01502321	011	11A		00G01801971	010	30A		00G02301501	007	40A		00G02802291	013	35A	
00G01502861	004	26A		00G01801361	007	25A		00G02301511	007	39A		00G02802471	013	37A	
00G01503191	005	20A		00G01804541	015	32A		00G02302171	006	09A		00G02900051	013	43A	
00G01503701	010	12A		00G01806393	012	30A		00G02401152	009	01A		00G02900171	013	50A	
00G01503701	004	21A		00G01816931	010	03A		00G02401381	013	28A		00G02900271	013	10A	
00G01503874	010	21A		00G01817951	010	05A		00G02500061	014	24A		00G02900651	013	38A	
00G01504781	011	24A		00G01833101	005	33A		00G02500171	012	16A		00G02900661	013	45A	
00G01512882	010	22A		00G01915601	001	01A		00G02500781	012	39A		00G02901041	013	44A	
00G01519731	004	37A		00G02000811	002	21A		00G02501021	012	02A		00G02901091	013	09A	
00G01601581	011	20A		00G02000951	002	13A		00G02501051	014	26A		00G02901281	013	39A	
00G01602581	011	03A		00G02000971	002	23A		00G02501131	012	11A		00G02902421	013	49A	
00G01603071	011	02A		00G02001621	002	11A		00G02501231	012	18A		00G02903011	013	41A	
00G01614521	011	01A		00G02001821	002	25A		00G02501641	014	27A		00G03000081	014	13A	
00G01700091	007	11A		00G02001831	002	15A		00G02502041	012	12A		00G03000121	014	16A	
00G01700301	007	13A		00G02001871	002	14A		00G02502141	012	14A		00G03000131	014	15A	
00G01700391	007	14A		00G02001941	002	24A		00G02503011	012	01A		00G03000211	014	09A	
00G01700401	007	12A		00G02002621	002	22A		00G02507091	012	05A		00G03000211	016	17A	
00G01701091	007	41A		00G02100401	006	42A		00G02508091	012	06A		00G03000211	015	38A	
00G01702021	007	06A		00G02100401	011	22A		00G02509091	012	07A		00G03000601	014	17A	
00G01702072	007	10A		00G02101012	006	38A		00G02510091	012	08A		00G03000621	014	14A	
00G01702102	007	09A		00G02101401	006	45A		00G02600641	013	21A		00G03000651	014	18A	
00G01702311	007	07A		00G02101832	006	39A		00G02601301	013	16A		00G03000901	015	43A	
00G01702701	006	28A		00G02102081	006	11A		00G02601651	013	11A		00G03001021	014	05A	
00G01702891	007	15A		00G02102921	006	10A		00G02601651	016	19A		00G03001021	016	13A	
00G01702901	007	16A		00G02104611	006	25A		00G02601881	013	17A		00G03001031	014	02A	
00G01800141	014	04A		00G02201711	014	03A		00G02602211	013	20A		00G03001091	014	21A	
00G01800221	005	31A		00G02202371	018	19A		00G02603371	013	01A		00G03001091	015	39A	
00G01800751	011	19A		00G02202971	003	19A		00G02603831	013	06A		00G03001151	014	35A	
00G01800841	001	23A		00G02203371	011	10A		00G02604381	013	03A		00G03001271	001	05A	
00G01800901	005	21A		00G02205671	018	09A		00G02604461	013	02A		00G03001321	014	10A	

**Farbcode / Lista Parti Colororati / Liste des Pièces Similaires Codefiées par Couleur
Color Combination Parts List**

HUSQVARNA WRS 50

Farbe / Colore / Couleur / Colour : Amarilla / Azul

Ersatzteilnummer / Codice rif. del pezzo Code réf. de la pièce / Part ref. number	Bezeichnung / Denominazione Designation / Name	Modell / Modell Modelos / Model
00G04601172 GABELCHUTZ PROTEGE SUPP.JAMBRE DE FOURCHE	PROTTETORE BASE SINISTRA FORC. LEFT FORK CAP PROTECTOR	1
00G04601182 GABELCHTZ PROTEGE SUPP.JAMBRE DE FOURCHE	PROTTETOTE BASE DESTRA FORC. RIGHT FORK CAP PROTECTOR	1
00G00708431 RADSCHUTZ VORN SUBCOMPLESSO PARAF.ANTER.	PARAFANGO ANTERIORE FRONT MUDGUARD SUB-ASSY	1
00G04923081 FRONTSCHILD ECU FRONTAL	CARENATURA FRONTALE FRONT SHIELD	1
00G04931091 DECKEL RECHTS R-SUBCOMPLESSO COPERCH.LAT.	R-SUBCOMPLESSO COPERCHIO LAT. RIGHT SIDE COVER SUB-ASSY	1
00G04910101 DECKEL LINKS R-SOUS-ENS.COUV.LAT.GAUCHE	R-SUBCOMPLESSO COPERCHIO LAT. LEFT SIDE COVER SUBASSY	1
00G01503874 SEITENVERKLEIDUNG RECHTS PLAQUE FER.MARCHEPIED DROIT	COPERCHIO PORTASTAFFA DESTRA RIGHT FOOTBOARD COVER	1
00G01512882 SEITENVERKLEIDUNG LINKS PLAQUE FER.MARCHEPIED GAUCHE	COERCHIO PORTASTAFFA SINISTRA LEFT FOOTBOARD COVER	1
00G04602081 RAHMENSCHUTZ PROTECTEUR INFERIEUR CHASSIS	PROTTETORE INFERIORE TELAIO LOWER PROTECTOR	1
00G01005513 GEHAUSE R-SOUS ENS.CARC.AV. A/T.	R-SUBCOMPLESSO CARENATURA ANT. FRONT BODY PANEL W/TRANSFERS	1

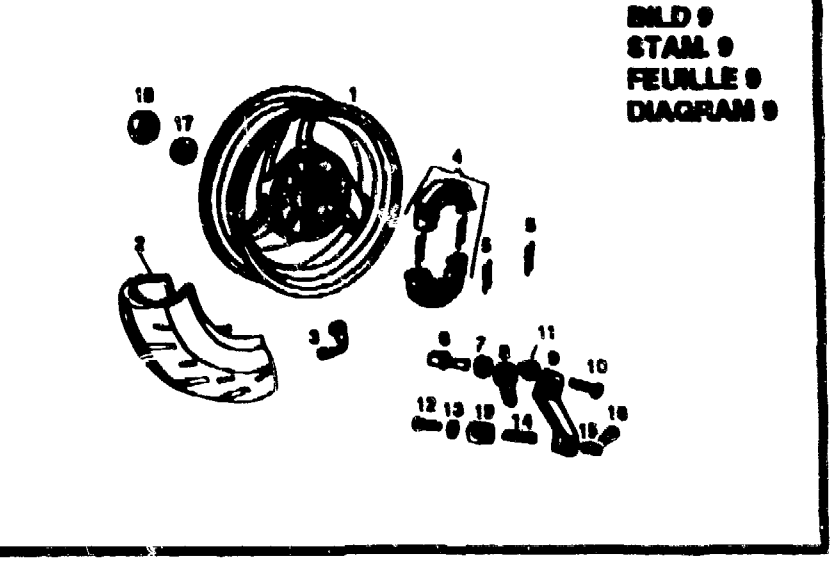
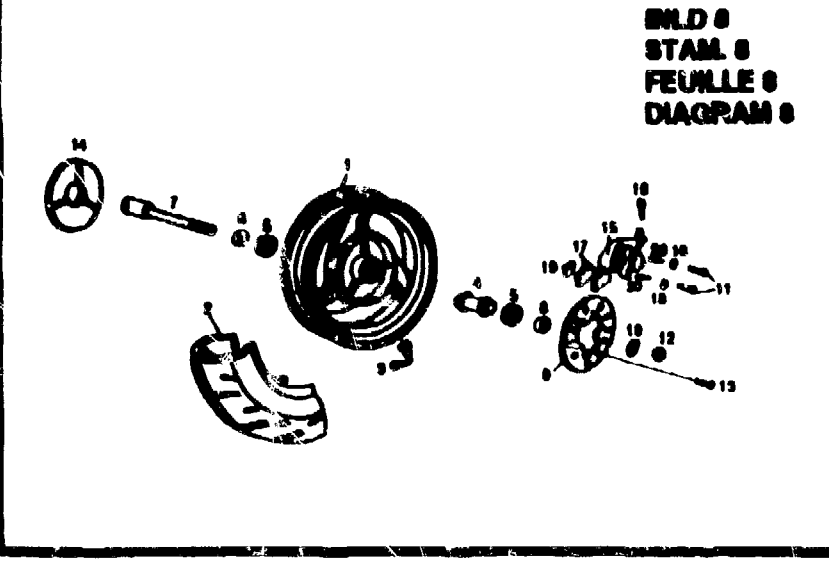
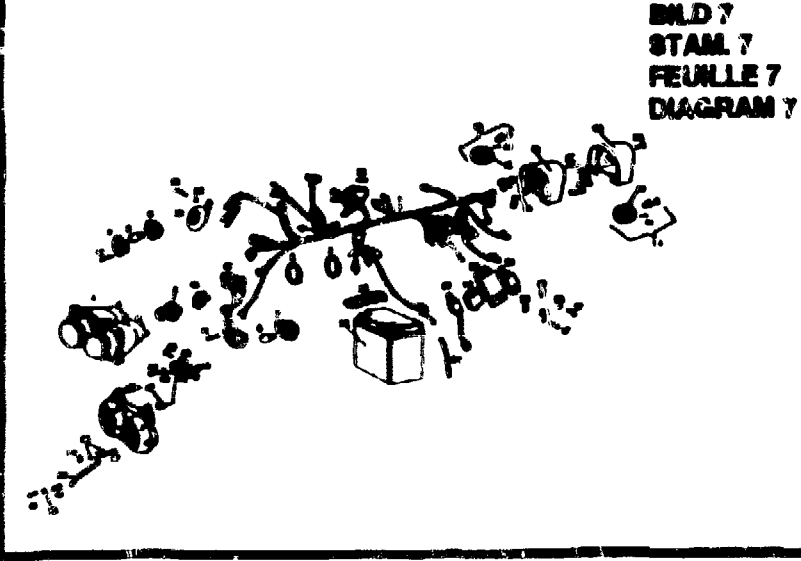
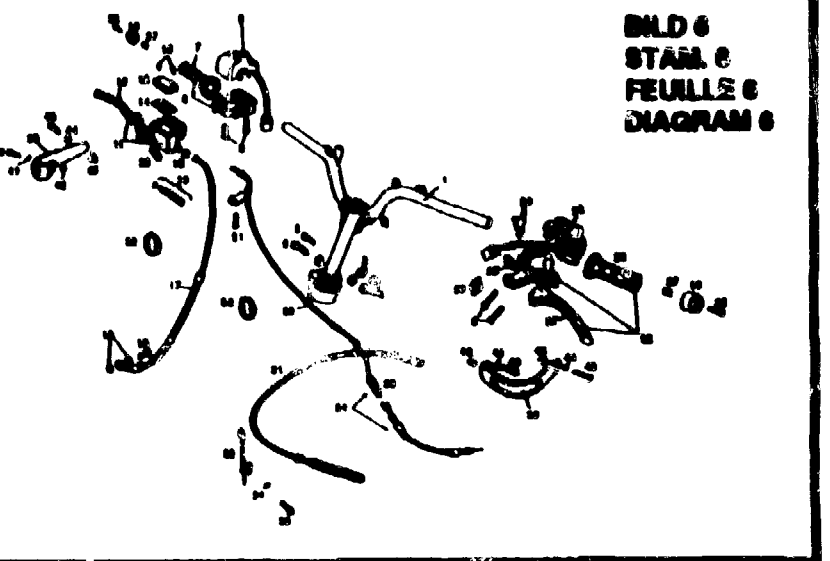
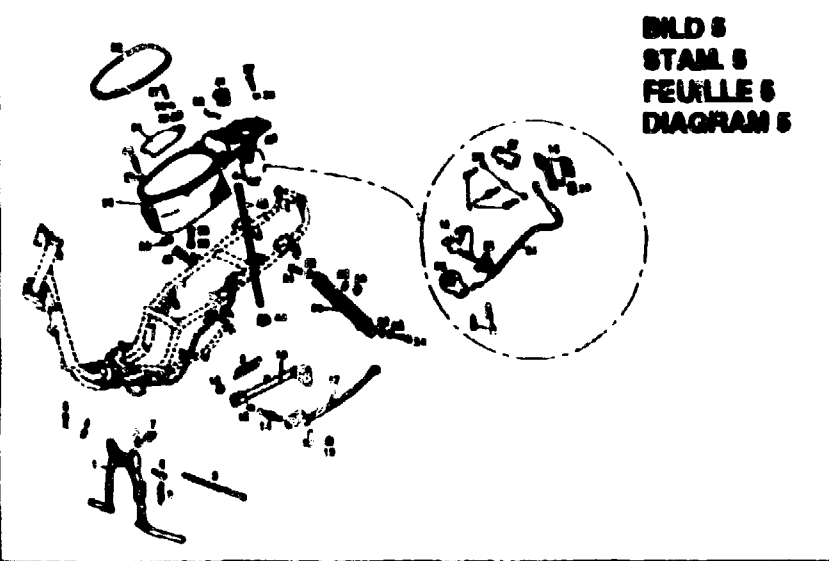
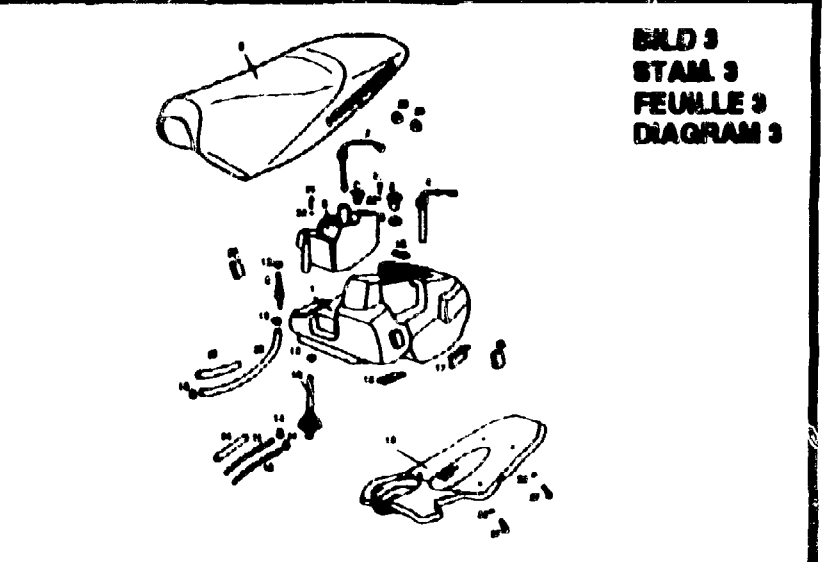
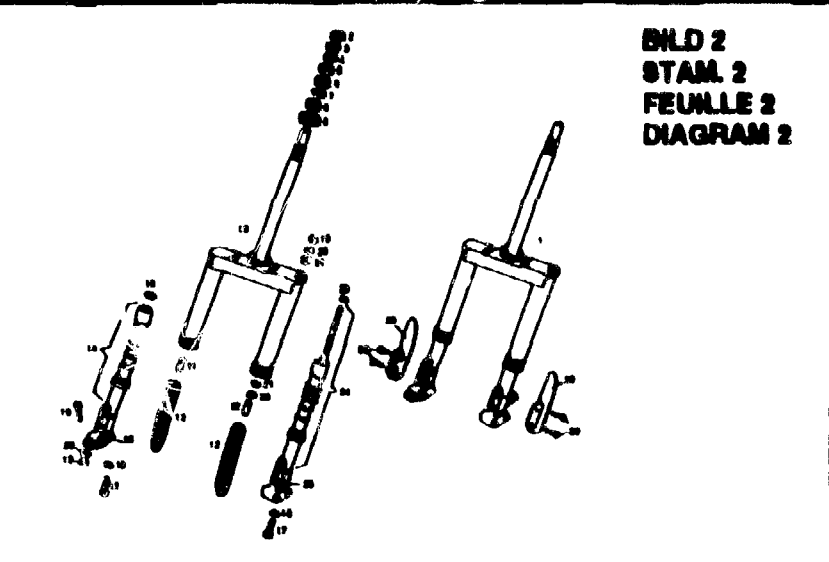
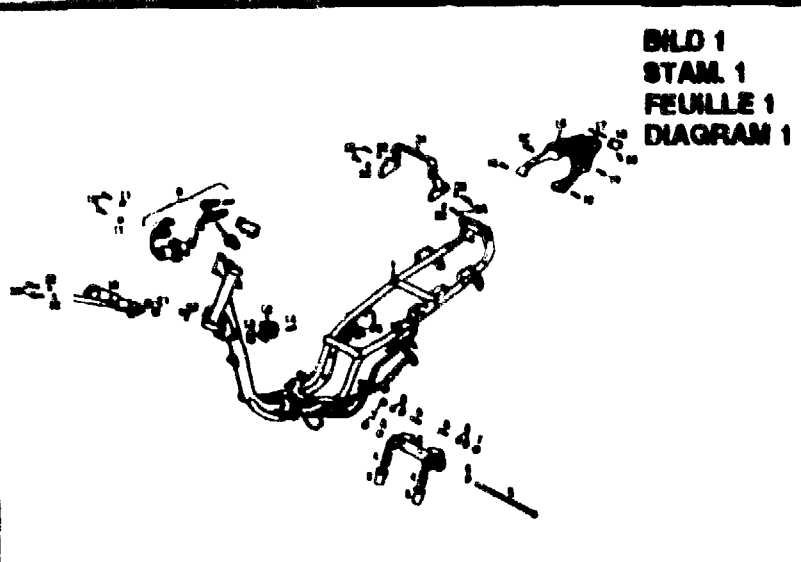
Figr.	Vers.	KODEX CODICE CODE	BEZEICHNUNG / DENOMINAZIONE / DESIGNATION / NAME	MODELL / MODELLI MODELES / MODEL	N. Rahmen N°. Telaio N°. Cadre Frame Nr.	Stk (Stampa Foglio Diagram 4
14A		00011051801	GEWINDESCHNEIDSCHRAUBE 5,1X18 VITE AUTOFILETTANTE 5,1X18 NER	VIS TARAUD 5,1X18 NOIR CL89H SELF-TAPPING SCREW	1	
15A		00G06303021	SPRITZSCHUTZ VORNE NASO INFERIORE CARENATURA FRON	SUPPLEMENT INF. CORPS FRONTAL LOWER FRONT BODY EXTENSION	1	
16A		00G04923081	FRONTSCHILD CARENATURA FRONTALE	ECU FRONTAL FRONT SHIELD	1	
17A		00G02207251	SCHRIFTZUG ADESIVO	ADHESIF DECAL	1	
18A		00G04400471	HALTERUNG RE.FRONTSCHILD SUPPORTO DESTRO FISSAGGIO CARE	SUPPORT DROIT FIX. FRONT. FRONT SHIELD RIGHT SECURING B	1	
19A		00G06300781	HALTERUNG LI. FRONTSCHILD HUNT SUPPORTO SINISTRO FISSAGGIO CA	SUPPORT GAUCHE FIX. FRONT. FRONT SHIELD LEFT SECURING BR	1	
20A		00000031060	SCHEIBE D.6. RONDELLA PIATTA MECCANIZZATA D	ROND. PLATE MECANISEE D6DIN12 MACHINED FLAT WASHER D6 DIN-1	1	
21A		00G01503701	BEF.-SCHRAUBE F. FRONTSCHILD H VITE FISSAGGIO CARENATURA FRON	BOULON SER. FRONTAL HUNTER FRONT SHIELD SECURING SCREW	1	
22A		00G04902761	FRONTSCHILD INNEN CARENAT. INTERNO FRONTALE	INTER.ECU FR. FRONT SHIELD INNER	1	
23A		00G06800291	DECKEL FAHRGESTELLNUMMER COPERCHIO REGISTRO IDENTIFICAZ	COUV.ACCES MARQUAGE CHASSIS H FRAME NUMBER COVER PLATE	1	
24A		00G00701141	KOTFLUEGEL HINTEN PARAFANGHI POSTERIORE HUNTER	GARDE-BOUE ARRIERE HUNTER REAR MUDGUARD HUNTER	1	
25A		00F00700381	STOSSDAMPFERSCHUTZ SUPPLEMENTO.ANTER.PARAFANGO POST	SUPL.GARDE BOUE AR ST SUPPLEM. REAR FENDER,V.START.	1	
26A		00G01502861	SPRITZSCHUTZ HINTEN SUPPLEMENTO PARAFANGHI POSTERI	SUPL.DE GARDE-BOUE ARRIERE H REAR MUDGUARD EXTENSION	1	

Figr.	Vers.	KODEX CODICE CODE	BEZEICHNUNG / DENOMINAZIONE / DESIGNATION / NAME	MODELL / MODELLI MODELES / MODEL	N. Rahmen N°. Telaio N°. Cadre Frame Nr.	SW Stampa Foglio Diagram 7
40A		00G02301501	STELLFEDER SCHEINWERFER R- MOLLA REGOLAZIONE FARO ANTE	R-RESSORT REGLAGE PHARE AVANT HEADLAMP ADJUSTER SPRING	1	
41A		00G01701091	BEF.-SCHRAUBE BLINKERGLAS VITE FISSAZ.VETRO LAMPEGGIANTI	BOULON SERRAGE GLACE CLIGNONA INDICATOR LENS SECURING SCREW	1	
42A		00G01000081	BEFESTIGUNGSSCHNALLE DES VORDE ORECCHIA FISSAGGIO FARO ANT.	LANGUETTE FIX.PHARE AVANT HEADLAMP FIX.	1	
43A		00011051601	GEWINDESCHNEIDSCHRAUBE 5,1X16 VITE AUTOFILETTANTE 5,1X16 NER	VIS TARAUD 5,1X16 NOIR CL89H SELF-TAPPING SCREW	1	
44A		00000004625	INBUSSCHRAUBE 6M100X25.D-912. VITE TESTA ALLEN 6M100X25.DIN-	VIS A TETE ALLEN 6M100X25. HEX.SOCKET-HEAD SCREW 6MX25	1	
45A		00G01001821	STICHELATT AM DEGEN SCODELLINO	ENTRETOISE SUPPORT DE PHARE SPACER, SEAT, LOCK	1	
46A		00012043000	SCHRAUBE MIT HALBRUNDKOPF 4M70 VITE TESTA CROCE 4M70X30	VIS CRUXIFORME 4M70X30 SCREW, COIL MT.4M70X30	1	
47A		00G02300091	SILENTBLOCK SILENTBLOCK	SILENTBLOC SILENTBLOC	1	
48A		00G01002111	BIRNENFASSUNG PORTALAMPADA FARO ANT.PADDOCK	PORTE LAMPES SOCKET, BULB	1	
49A		00G05700011	KABELSTRANG COMPLESSO IMPIANTO FARO ANT.	ENS.INSTALLATION PHARE AVANT HEADLAMP EQUIPMENT KIT	1	
50A		00H05700481	ZEITSCHALTER COMPLESSO TEMPORIZZATORE CHECK	FAISCEAU COMPTEUR TIMER CHECK INDICATOR ASSEMBL	1	
51A		00G01000441	LAMPENHALTER SUPPORTO FANALE ANTERIORE.	SUPPORT DE PHARE HEADLIGHT SUPPORT	1	

Figr.	Vers.	KODEX CODICE CODE	BEZEICHNUNG / DENOMINAZIONE / DESIGNATION / NAME	MODELL / MODELLI MODELES / MODEL	N. Motor N°. Motore N°. Moteur Engine Nr.	Bild Stampa Foglio Diagram 12
14A		00G02502141	KURBELWELLE/PLEUEL HUNTER COMPLESSO ALBERO GOMITO-BIELLA	ENSEMBLE VILEBREQUIN-BIELLE H CRANKSHAFT/CONNECTING ROD ASS	1	
15A		00G05001011	PLEUEL HUNTER R-COMPLESSO BIELLA HUNTER	R-ENSEMBLE BIELLE HUNTER CONNECTING ROD ASSY	1	
16A		00G02500171	NADELLAGER PLEUELFUSS VAMOS GABBIA10X14X12,5 SPINOTTO	CAGE PIED BIELLE VAMOS CONNECTING ROD BIG END NEEDLE	1	
17A		00059220400	KUGELLAGER 6204 PX2 V4 CUSCINETTO 6204 PX2 V4	PALIER 6204 PX2 V4 BEARING	1	
18A		00G02501231	KURBELWELLEN-DICHTRING 20X38X GIUNTO ALBERO GOMITO ??? 20	JOINT VILEBR.BASL.20X38X7 VAM SEAL, CRANKSHAFT 20X38X7	1	
19A		00000047119	DICHTRING ANELLO SICUREZZA ASSI D19 DIN-	ANNEAU DE SURETE AXES D19.DIN SHAFT SAFETY CIRCLIP	1	
20A		00G03701101	SCHRAUBE OELPUMPENANTRIEB VITE COMANDO POMPA OLIO VAMOS-	VIS COMMANDE POMPE HUILE VAMO OIL PUMP CONTROL SCREW	1	
21A		00G03700631	SICHERUNGSRING RONDELLA FISSAGGIO VITE COMAND	RONDELLE FIX.VIS COM.POMPE VM OIL PUMP CONTROL SCREW FIXING	1	
22A		00066031200	ROLLE 3X12 RULLO 3X12	ROULEAU 3X12 ROLLER	1	
23A		00G03400181	AUSPUFFTOPF COMPLESSO TUBO SCAPPAMENTO	ENSEMBLE SILENCIEUX ECHAPPEME EXHAUST PIPE AND MUFFLER ASSY	1	
24A		00G03409011	AUSPUFFROHR SUBCOMPLESSO TUBO SCAPPA.	SOUS-ENS.TUBE D'ECHAPPEMENT TAIL PIPE ASSEMBLY	1	
25A		00G03400321	BEF.-DICHTUNG SCHALLDAEMPFER H GUARNIZ.FISS.SILENZIAT.HUNTER	JOINT FIX.SILENCIEUX D'ECHAP. SILENCER SECURING GASKET	1	
26A		00000004620	INBUSSCHRAUBE 6M100X20. VITE TESTA ALLEN 6M100X20.D-91	VIS T.CREUSE 6M100X20.D-912/8 ALLEN SCREW M6X20	1	

Figr.	Vers.	KODEX CODICE CODE	BEZEICHNUNG / DENOMINAZIONE / DESIGNATION / NAME	MODELL / MODELLI MODELES / MODEL	N. Motor N°. Motore N°. Moteur Engine Nr.	N. Stampo N. Folio Diagram 15
14A		00G04103181	LEERLAUFDUSE34 GETTO MINIMO 34.VAM. 25KH	GICLEUR MINIMUM.34 JET MIN.34	1	
15A		00H03202481	LUFTEINLASS-DUSE GETTO ENTRATA ARIA 45SEND.R	GICLEUR DE RALENTI IDLE CHOKE	1	
16A		00G03200721	FEDER LUFTREGLER MIN. VM. AU. R-MOLLA REGOLAZIONE ARIA MINIM	R-RESSORT REG.AIR MIN.VM.AU.4 IDLE ADJUSTER SPRING	1	
17A		00G03202731	LUFT-REGULIERSCHRAUBE VITE REGOLAZIONES AIRA	R-VIS REG.AIR IDLE ADJUSTER SPRING	1	
18A		00G03200101	FEDER GAS-VENTIL-REGELUNG VM.A R-MOLLA REGOLAZIONE VALVOLA GA	R-RES.REG.VALVE ESS.VM.AU.40 THROTTLE VALVE ADJUSTER SPRIN	1	
19A		00G04100131	SCHRAUBE GAS-VENTIL-REGELUNG V R-VITE REGOLAZIONE VALVOLA GAS	R-VIS REG.VALV.ESS.VAM.AU.40K THROTTLE VALVE ADJUSTER SCREW	1	
20A		00G04100741	KNOPF GASVENTIL-STELLSCHRAUBE BOTTONE VITE REG.VALV.BENZ.V.A	R-BOUTON VIS REGL.VALV.ESS.V. THROTTLE VALVE ADJUSTER SCREW	1	
21A		00G03201281	SCHWIMMER VAMOS AUSTR. 40 K/H. R-GALLEGGIANTE VAMOS AUSTRIA 4	R-FLOTTEUR. VAMOS AUSTR.40 K/H FLOAT	1	
22A		00G03201051	SCHWIMMERNADEL VAM.AU.40KH R-COMPLESSO SPILLO GALLEGGIANT	R-EN.POINT.D'ARRIVEE VAM.AU.4 FLOAT NEEDLE ASSY	1	
23A		00G03201121	STIFT SCHWIMMERACHSE VA.AU.40K R-CHIAVISTELLO ASSE GALLEGGIAN	R-GOUJON AXE FLOTTEUR VA.AU.4 FLOAT PIN	1	
24A		00G03201201	SCHWIMMERDECKEL R-COMPLESSO VASCHETTA BENZINA	R-ENS.VASE ESSENCE VAMOS R'95 FLOAT CHAMBER ASSY	1	
25A		00G03201091	BEF.-SCHRAUBE R-VITE FISSAGGIO VASCHETTA BEN	R-BOUL.SERG.VASE ESSENC.VA.AU FLOAT CHAMBER SECURING SCREW	1	
26A		00G04100751	KAPUZE AUTOM. STARTER VM.AU.40 PROTETT.START AUT.VM.AU.4	R-PROTECT.STARTER AUTOM. VM.A AUTOMATIC CHOKE PROTECTION RU	1	

KODEX CODICE CODE	BILD STAMPA FEUILLE DIAGR.	FIG.	VERS.	KODEX CODICE CODE	BILD STAMPA FEUILLE DIAGR.	FIG.	VERS.	KODEX CODICE CODE	BILD STAMPA FEUILLE DIAGR.	FIG.	VERS.	KODEX CODICE CODE	BILD STAMPA FEUILLE DIAGR.	FIG.	VERS.
00G03002051	012	13A		00G03300231	016	02A		00G03701111	014	40A		00G03901871	016	14A	
00G03002091	014	22A		00G03300281	016	21A		00G03702021	014	32A		00G03901891	016	16A	
00G03002331	014	06A		00G03300751	016	07A		00G03702051	003	07A		00G04003281	013	33A	
00G03002981	014	39A		00G03300831	016	12A		00G03702181	014	25A		00G04005641	013	27A	
00G03003091	014	23A		00G03303011	016	01A		00G03702221	003	20A		00G04100131	015	19A	
00G03004631	014	01A		00G03306171	016	22A		00G03800011	017	01A		00G04100741	015	20A	
00G03200061	015	05A		00G03400041	012	29A		00G03800021	017	05A		00G04100751	015	26A	
00G03200101	015	18A		00G03400181	012	23A		00G03800031	017	06A		00G04100771	015	30A	
00G03200511	015	08A		00G03400321	012	25A		00G03800151	017	12A		00G04103181	015	14A	
00G03200541	015	28A		00G03409011	012	24A		00G03800161	017	16A		00G04200641	012	34A	
00G03200551	015	29A		00G03600941	013	05A		00G03800181	016	08A		00G04302181	003	04A	
00G03200711	015	27A		00G03600971	013	19A		00G03800501	017	02A		00G04303601	011	04A	
00G03200721	015	16A		00G03600991	016	05A		00G03800551	017	11A		00G04400471	004	18A	
00G03200761	015	04A		00G03600991	017	09A		00G03800601	017	04A		00G04400601	007	24A	
00G03201051	015	22A		00G03600991	014	37A		00G03800661	017	08A		00G04400751	004	29A	
00G03201071	015	07A		00G03601511	016	03A		00G03800761	017	15A		00G04401241	016	23A	
00G03201091	015	25A		00G03601871	016	04A		00G03800781	017	32A		00G04401461	017	25A	
00G03201121	015	23A		00G03601871	014	36A		00G03800791	017	27A		00G04401461	005	40A	
00G03201201	015	24A		00G03601901	013	18A		00G03800801	017	33A		00G04404991	014	12A	
00G03201231	015	06A		00G03601911	013	15A		00G03800841	017	28A		00G04601172	002	28A	
00G03201231	015	21A		00G03602091	013	07A		00G03800851	017	34A		00G04601182	002	29A	
00G03201371	015	10A		00G03602591	013	14A		00G03800871	017	18A		00G04602081	010	26A	
00G03201431	015	11A		00G03602651	013	04A		00G03800881	017	35A		00G04404991	014	12A	
00G03201561	015	02A		00G03602961	013	13A		00G03801091	017	21A		00G04606091	004	02A	
00G03202251	015	36A		00G03603081	013	24A		00G03801211	017	13A		00G04606921	018	10A	
00G03202731	015	17A		00G03700411	003	08A		00G03801701	017	36A		00G04607101	004	37A	
00G03203261	015	35A		00G03700461	005	43A		00G03900011	007	30A		00G04608121	004	39A	
00G03203421	015	12A		00G03700601	005	41A		00G03900311	016	10A		00G04614111	004	38A	
00G03204271	015	34A		00G03700631	012	21A		00G03900501	016	18A		00G04623141	010	23A	
00G03206491	015	37A		00G03700651	003	26A		00G03900821	014	08A		00G04701091	008	03A	
00G03209031	015	13A		00G03701081	003	05A		00G03900821	016	15A		00G04701091	009	03A	
00G03212011	015	01A		00G03701101	012	20A		00G03901851	016	11A		00G04700131	008	19A	



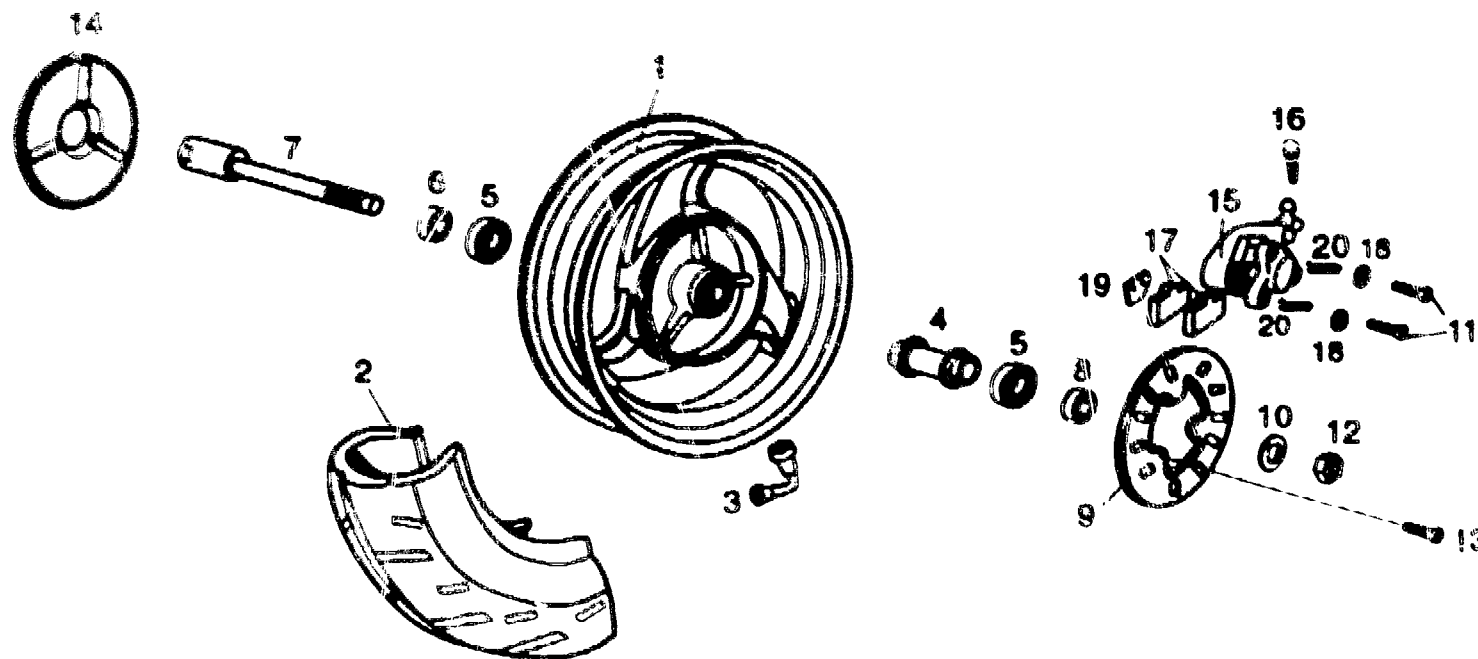
Figr.	Vers.	KODEX CODICE CODE	BEZEICHNUNG / DENOMINAZIONE / DESIGNATION / NAME	MODELL / MODELLI MODELES / MODEL	N. Rahmen N° Titolo N° Cadre Frame Nr.	N. Stampo Feuille Diagram 4
27A		00012161600	SCHRAUBE 6M100X16 D-7985 VITE TESTA CROCE NERA 6M100X1	VIS T.CROIX NOIR 6M100X16 D-7 PHILIPS SCREW		1
28A		00012063000	SCHRAUBE MIT HALBRUNDKOPF 6M10 VITE T/TON.CROCE 6M100X30 D798	VIS T. RONDE CROIX 6M100X30 D- ROUNDHEAD PHILIPS SCREW		1
29A		00G04400751	RUCKSTRAHLER SEITL. GELB CATADIOTTRICI LATER. AMBRA	CATADIOPTRIQUES LATERAL AMBRE SIDE REFLECTOR (AMBER)		1
30A		00003515370	SCHEIBE KETTENSCHUTZ RONDELLA FISSAGGIO COPRICATENA	RONDELLE FIXATION COUVRE-CHAI CHAIN COVER SECURING WASHER		1
31A		00G01501572	KENNZEICHEN-HALTERUNG SUPPORTO PLACCA MATRICOLA	SUPPORT PLAQUE IMMATRICULATIO HOLDER, LICENCE PLATE		1
32A		00G01500711	BEFESTIGUNGSHAKEN DES NUMMERN DITE FISS. LAT. PLACCA PORTATARG	VISSE DE FIX. LAT. POUR LA PLAQ RIVET		1
33A		00G06300671	SCHEIBE RONDELLA FISSAGGIO SUPPLEMENTO	RONDELLE FIX. SUPPL. ARRIERE CA REAR FRAME EXTENSION SECURING		1
34A		00G00705491	SCHRIFTZUG DECALCO	ADHESIF LAT. DROIT G. BOUE AV. DECAL		1
35A		00G00705451	ABZIEHBILD SEITL. LI. ADESIVO LATERALE SINISTRO PARA	ADHESIF LAT. G. GARDE-BOUE AV. FRONT MUDGUARD LEFT SIDE		1
36A		00011051601	GEWINDESCHNEIDSCHRAUBE 5,1X16 VITE AUTOFILETTANTE 5,1X16 NER	VIS TARAUD 5,1X16 NOIR CL89H SELF-TAPPING SCREW		1
37A		00G04607101	SCHRIFTZUG ADESIVO	ADHESIF DECAL		1
38A		00G04614111	SCHRIFTZUG RE. ADESIVO LATERALE DESTRO ESC. FR	ADHESIF LATERAL DROIT CACHE F DECAL		1
39A		00G04608121	SCHRIFTZUG DECALCO	ADHESIF DECAL		1

Husqvarna

VORDERRAD UND BREMSANLAGE
RUOTA ANTERIORE
ROUE AVANT
FRONT WHEEL

MODELLE / MODELLOS
MODELE / MODELS:
HUSQVARNA WRS 50

Bild
Stam.
Feuille
Diagr.
8



Figr.	Vers.	KODEX CODICE CODE	BEZEICHNUNG / DENOMINAZIONE / DESIGNATION / NAME	MODELL / MODELLI MODELES / MODEL	N. Motor N°. Motore N°. Moteur Engine Nr.	Bild Stampa Feuille Diagram 12
27A		00000033060	FEDERRING D.6.DIN-127-B RONDELLA MOLLA D.6.D 127-B.	RONDELLE A RESSORT D6 D-127-B SPRING WASHER D6	1	
28A		00026006001	SECHSKANTMUTTER MIT FLANSCH 6M VITE ESAG.C/FLANGIA 6M100.DIN	ECROU HEX.A/BRIDE 6M100 DIN-6 HEX NUT WITH FLANGE	1	
29A		00G03400041	KRUEMMERDICHTUNG GUARNIZIONE TUBO SCAPPAMENTO	JOINT TUBE D'ECHAPPEMENT EXHAUST GASKET	1	
30A		00G01806393	SCHALLDAEMPERSCHUTZ HUNTER PROTEZIONE SILENZIATORE CRO	PROTECT.SIL. D'ECH.GR.CHROME SILENCER SHIELD	1	
31A		00000012415	SCHRAUBE 4M70X15 D7985 VITE TESTA TONDA CROCE 4M70X15	VIS T. RONDE CROIX 4M70X15D798 ROUNDHEAD PHILIPS SCREW 4M70X	1	
32A		00D02600631	SCHEIBE RONDELLA FERMO MOLLA FRIZIONE	ROND.BUTEE RESSORT EMBRAYA.4- CLUTCH SPRING STOP WASHER	1	
33A		00F04201361	BEF.-SCHEIBE SCHALLDAEMPERSCH RONDELLA FISS.SILENZIATORE	RONDELLE FIX.PROTECT.SILENC.F SILENCER SHIELD SECURING WASH	1	
34A		00G04200641	INNENBLECH SCHALLDAEMPFERHALTE NERVATURA INTERIORE SUPPORTO S	GOUSSET INT.SUPPORT SILENC. H INNER SILENCER BRACKET	1	
35A		00012151500	SCHRAUBE 5M80X16. VITE T/TON.CROCE 5M80X16.D7985	VIS A TETE RONDE A FENTES CRO SCREW	1	
36A		00H01500691	BEF.-CLIPVERKL. D.5 DADO FISSAGGIO CARENATURA A SU	ECROU FIX.CARENAGE AU SUPPORT FAIRING SECURING NUT	1	
37A		00000004165	INBUSSCHRAUBE 10M150X65 VITE TESTA ALLEN 10M150X65	VIS A TETE CREUSE 10M150X65. ALLEN SCREW 10M150X6	1	
38A		00G01800901	BEF.-SCHRAUBE OBEN VITE FISSAGGIO SUPERIORE AMORT	BOUL.SERRAGE SUPPORT AMORTISS SHOCK ABSORBER BRACKET SECURI	1	
39A		00G02500781	ZYLINDERKOPFDICHTUNG GUARNIZIONE TESTATA VAMOS	JOINT EN CULASSE VAMOS CYLINDER HEAD GASKET	1	

Figr.	Vers.	KODEX CODICE CODE	BEZEICHNUNG / DENOMINAZIONE / DESIGNATION / NAME	MODELL / MODELLI MODELES / MODEL	N. Moto N° Motore N° Moteur Engine Nr.	Bild Stampa Feuille Diagram 15
27A		00G03200711	AUTOM. STARTER VAM.AU.40K COMP.STARTER AUTOM.VAM.AU.40	R-ENSEM.STARTER AUTOM.VAM.AU. AUTOMATIC CHOKE ASSY	1	
28A		00G03200541	BEF.-SCHRAUBE AUTOM. STARTER V R-VITE FISSAGGIO STARTER (AUT)	R-BOULON SER.START.AUTOM.VM.A AUTOMATIC CHOKE SECURING SCRE	1	
29A		00G03200551	HALTERUNG AUTOM. STARTER AUT.V R-PIASTRINA FISSAGGIO STARTER	R-PLOMBAGE FIX.START.AUT.V.AU AUTOMATIC CHOKE SECURING SCRE	1	
30A		00G04100771	DICHTUNGSATZ KOMPL. VERGASER R-COMPLESSO GUARNIZIONI CARBUR	R-ENS. JOINTS CARBUR. V.25K/H CARBURETOR GASKET SET	1	
31A		00G06800341	DRAENIERKAMMER SAUGROHR HUNT. SERBATOIO DRENAGGIO TUBO ASPIR	CHAMBRE DRAINAGE TUBE D'ASP.H BREATHER TUBE DRAIN SUMP	1	
32A		00G01804541	FILTERKASTEN HUNTER COMPLESSO CASSA FILTRO HUNTER	ENS. BOITIER DE FILTRE HUNTE FILTER BOX ASSY	1	
33A		000110S1801	GEWINDESCHNEIDSCHRAUBE 5,1X18 VITE AUTOFILETTANTE 5,1X18 NER	VIS TARAUD 5,1X18 NOIR CL89H SELF-TAPPING SCREW	1	
34A		00G03204271	FEDER F. EINLASSROHR VERGASER MOLLA TUBO AMMISSIONE CARBURAT	RESSORT TUYAU ADMIS.CARBUR.HU CARBURETTOR AIF INTAKE TUBE S	1	
35A		00G03203261	EINLASSROHR HUNTER TUBO AMMISSIONE HUNTER	TUYAU D'ADMISSION HUNTER AIR INTAKE HOSE	1	
36A		00G03202251	LUFTFILTER HUNTER FILTRO ARIA HUNTER	FILTRE AIR HUNTER AIR FILTER	1	
37A		00G03206491	EINLASSROHR HUNTER TUBO ASPIPAZIONE HUNTER	TUBE D'ASPIRATION HUNTER BREATHER TUBE	1	
38A		00G03000211	BEF.-SCHRAUBE LI. GEHAEUSEHAEL VITE FISSAGGIO COPERCHIO CARTE	BOULON SERG.COUV.CARTER G.H.6 LEFT CRANKCASE COVER SECURING	1	
39A		00G03001091	BEF.-SCHRAUBE MOTORGEHDUSE (6X VITE FISSAGGIO CARTERS (6X35)	BOULON SERRAGE CARTERS (6X35) CRANKCASE SECURING SCREW	1	

KODEX CODICE CODE	BILD STAMPA FEUILLE DIAGR.	FIG.	VERS.	KODEX CODICE CODE	BILD STAMPA FEUILLE DIAGR.	FIG.	VERS.	KODEX CODICE CODE	BILD STAMPA FEUILLE DIAGR.	FIG.	VERS.	KODEX CODICE CODE	BILD STAMPA FEUILLE DIAGR.	FIG.	VERS.
00G04700141	008	17A		00G05800101	009	19A		00G06800501	005	37A		00H05000281	017	14A	
00G04701091	009	03A		00G05800251	006	37A		00G06801051	005	10A		00H05700481	007	50A	
00G04702091	008	03A		00G05901251	001	09A		00G06801061	005	12A		00H06300281	013	51A	
00G04800051	017	36A		00G05901891	010	19A		00H00200061	002	05A		0000A517011	007	08A	
00G04801891	001	19A		00G05903941	010	14A		00H00400501	003	14A		00000002510	017	37A	
00G04802961	001	02A		00G05904831	010	01A		00H00500212	005	28A		00000002525	007	35A	
00G04900321	010	18A		00G06002061	018	07A		00H00801261	005	15A		00000004165	012	37A	
00G04901261	015	41A		00G06002071	018	08A		00H01301091	008	04A		00000004512	011	05A	
00G04902761	004	22A		00G06200081	003	17A		00H01301291	008	08A		00000004515	007	27A	
00G04910101	010	04A		00G06202061	003	13A		00H01301831	008	20A		00000004515	005	38A	
00G04923081	004	16A		00G06300571	001	03A		00H01500691	004	05A		00000004610	007	21A	
00G04931091	010	02A		00G06300671	004	33A		00H01500691	007	29A		00000004612	016	25A	
00G05000511	012	40A		00G06300771	003	25A		00H01500691	012	36A		00000004620	010	10A	
00G05000521	012	41A		00G06300781	004	19A		00H01500811	005	44A		00000004620	012	26A	
00G05001011	012	15A		00G06300861	001	26A		00H01501701	004	06A		00000004625	007	44A	
00G05001061	014	28A		00G06300861	011	09A		00H01501701	011	15A		00000004635	002	16A	
00G05005121	012	04A		00G06301111	001	12A		00H01501701	010	23A		00000004820	002	17A	
00G05006101	012	09A		00G06301201	015	42A		00H02100191	006	15A		00000004820	001	20A	
00G05100011	018	02A		00G06301551	005	32A		00H02100861	006	14A		00000004840	006	02A	
00G05101031	018	04A		00G06302451	018	21A		00H02101811	006	13A		00000004845	001	16A	
00G05101561	018	01A		00G06302581	015	40A		00H02301441	012	42A		00000004845	006	05A	
00G05121651	018	06A		00G06302721	005	26A		00H02401281	008	13A		00000012410	001	14A	
00G05203481	018	05A		00G06303021	004	15A		00H02900761	017	10A		00000012415	012	31A	
00G05300011	018	13A		00G06400141	014	42A		00H03201211	015	09A		00000012420	014	29A	
00G05300151	018	17A		00G06400151	014	43A		00H03202481	015	15A		00000012510	004	12A	
00G05300601	018	03A		00G06401031	014	07A		00H03700131	005	42A		00000012510	003	21A	
00G05300981	018	22A		00G06401121	013	53A		00H03700211	014	34A		00000012510	017	39A	
00G05600371	018	14A		00G06403061	014	11A		00H03701351	003	24A		00000012515	014	33A	
00G05600411	018	11A		00G06700021	011	21A		00H03800441	017	22A		00000013512	017	31A	
00G05600421	018	23A		00G06800291	004	23A		00H03800451	014	41A		00000013616	016	06A	
00G05700011	007	49A		00G06800311	001	13A		00H03800471	017	03A		00000013616	013	31A	
00G05700601	005	17A		00G06800341	015	31A		00H03800751	017	29A		00000023051	011	08A	

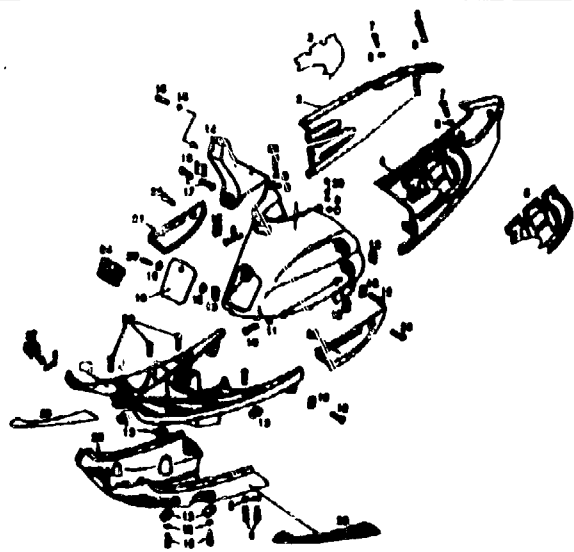


BILD 10
STAM. 10
FEUILLE 10
DIAGRAM 10

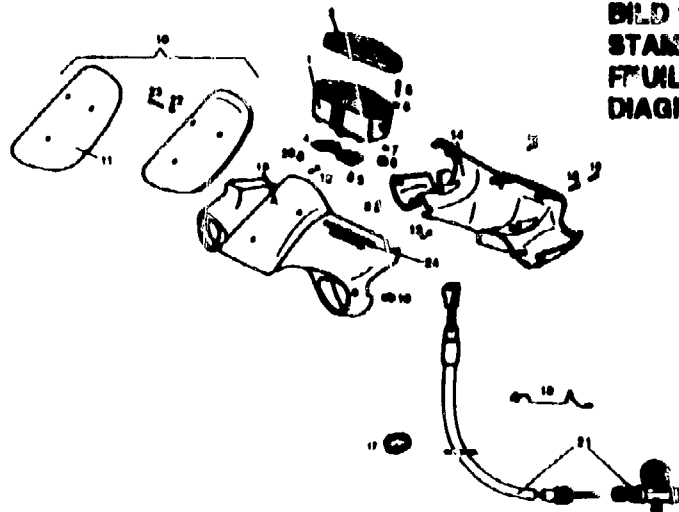


BILD 11
STAM. 11
FEUILLE 11
DIAGRAM 11

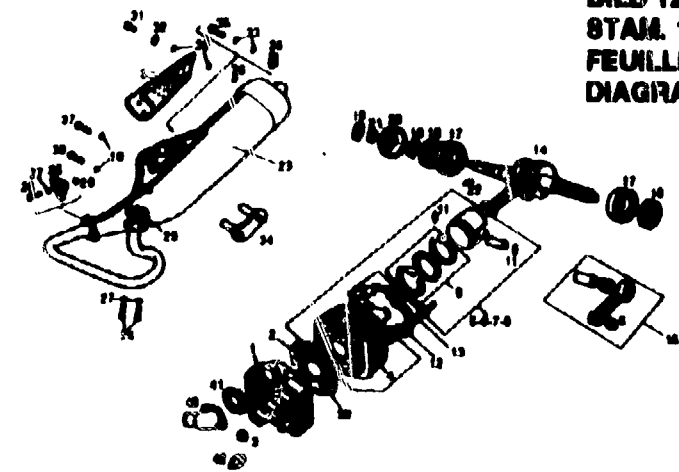


BILD 12
STAM. 12
FEUILLE 12
DIAGRAM 12

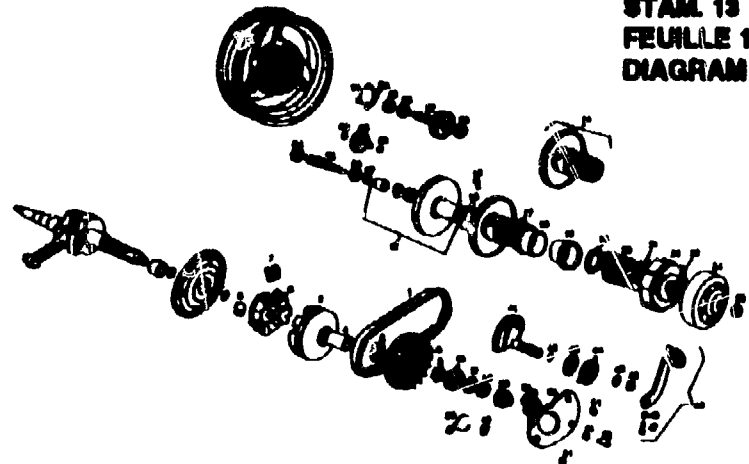


BILD 13
STAM. 13
FEUILLE 13
DIAGRAM 13

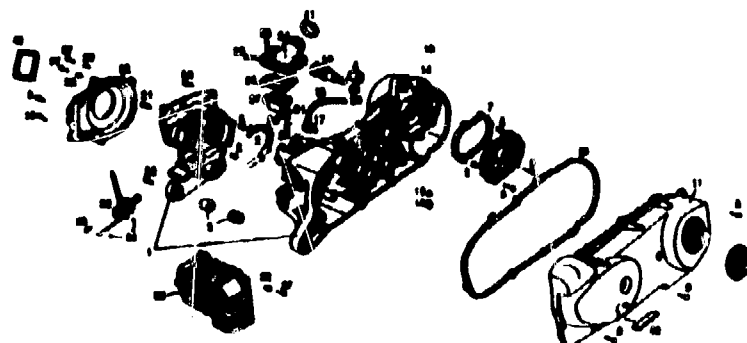


BILD 14
STAM. 14
FEUILLE 14
DIAGRAM 14

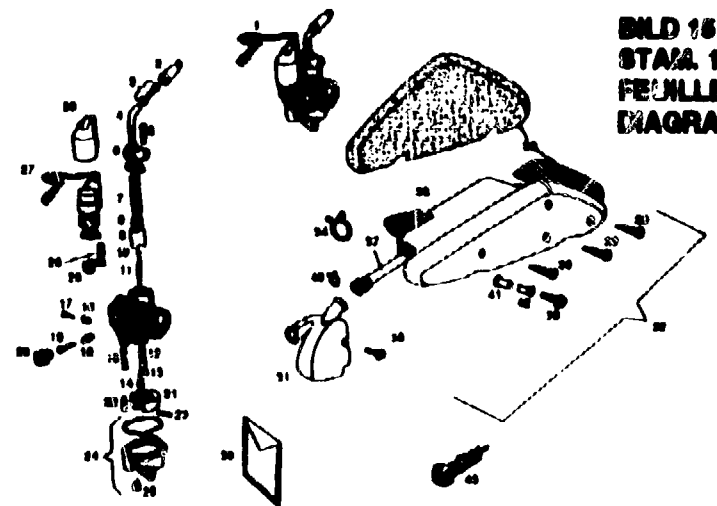


BILD 15
STAM. 15
FEUILLE 15
DIAGRAM 15

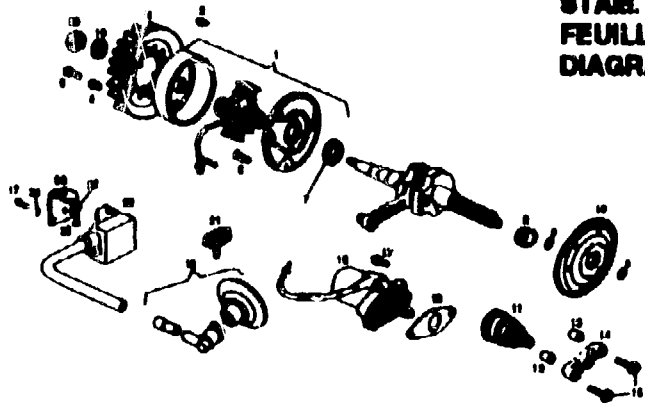


BILD 16
STAM. 16
FEUILLE 16
DIAGRAM 16

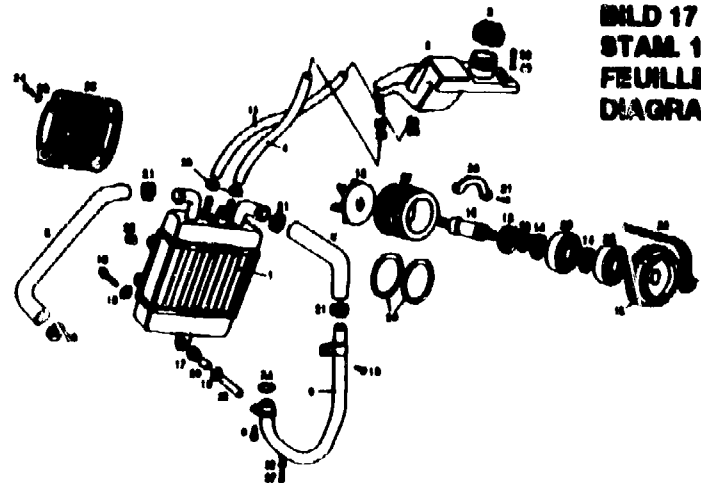


BILD 17
STAM. 17
FEUILLE 17
DIAGRAM 17



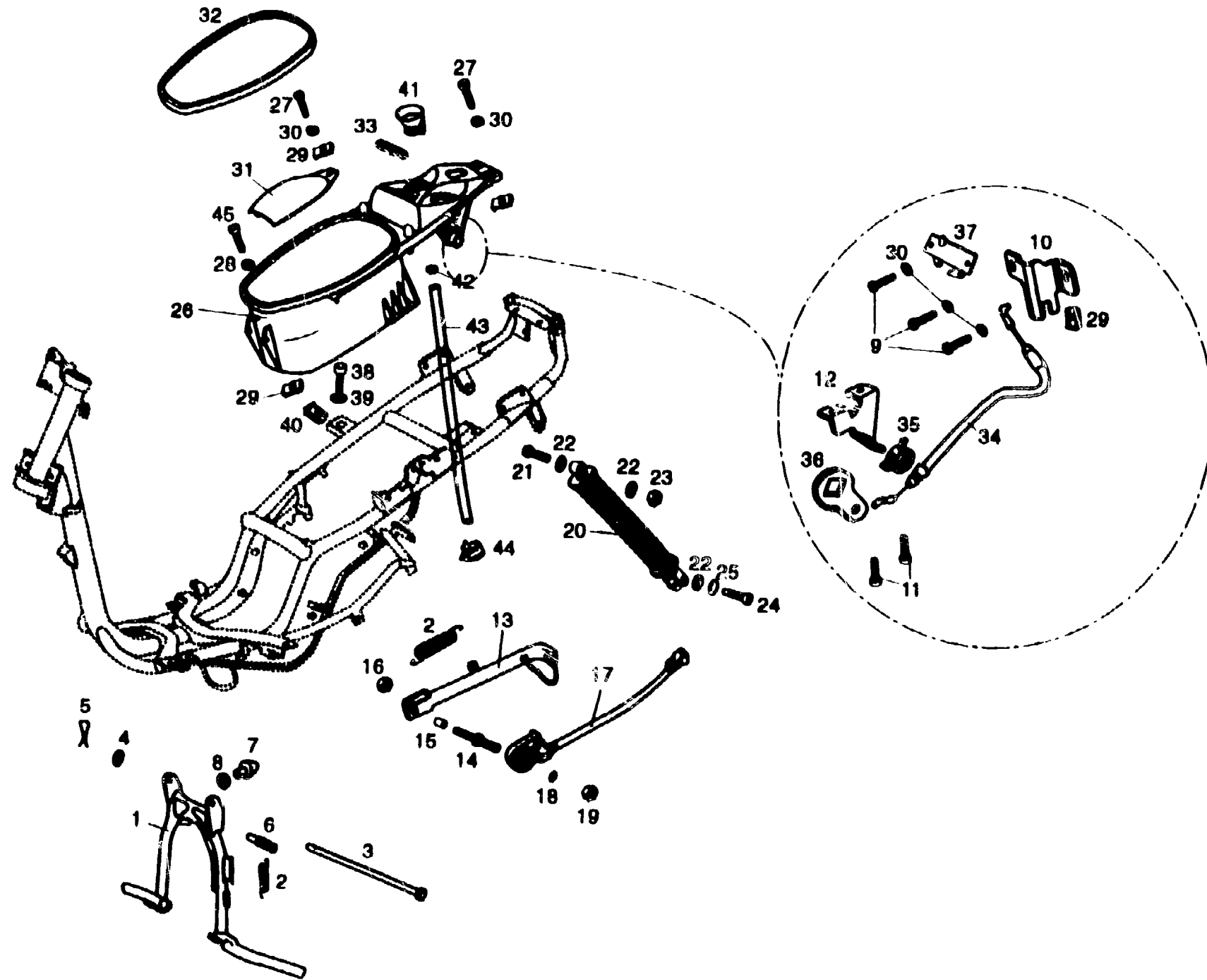
BILD 18
STAM. 18
FEUILLE 18
DIAGRAM 18

Husqvarna

VERKLEIDUNGSTEILE - SEITENSTANDER
MONTAGGIO TELAIO - CAVALLETO
MONTAGE CHASSIS - BEQUILLE
FRAME ASSEMBLY - KICK STAND

MODELLE / MODELLOS
MODELE / MODELS:
HUSQVARNA WRS 50

Bld
Stam.
Feuille
Diagr.
5



Figr.	Vers.	KODEX CODICE CODE	BEZEICHNUNG / DENOMINAZIONE / DESIGNATION / NAME	MODELL / MODELLI MODELES / MODEL	N. Rahmen N° Telaio N° Cadre Frame Nr.	UND Stampa Foglio Diagram 8
01A		00G01202952	FELGE VORNE GELB/SILBER R SUBCOMPLESSO CERCHIONE ANTER	VELG VOOR FRONT WHEEL ASSEMBLY	1	
02A		00F01204111	REIFEN 130/60X13 COPERTONE 130/60X13	PN. ARRIERE 130/60X13 TYRE	1	
03A		00G04702091	LUFTVENTIL RAEDER COMPLESSO VALVOLE ARIA RUOTE	ENSEMB. SOUPAPE D'ADMISS. AIR R VALVE, TYRE	1	
04A		00H01301091	DISTANZHULSE SUBCOMP. SEPARAT. CUSCINET. POST.	S-ENS. SEPAR. COUSSINET AR. PEN- SPACER, REAR HUB BEARING	1	
05A		00058120100	LAGER 6201.C3.2RSR.12.32.10 CUSCINETTO 6201.C3.2RSR.12.32.	PALIER 6201.C3.2RSR.12.32.10 BEARING 6201 12X32X10	1	
06A		00001812290	RADBUCHSE VO. GHIERA RUOTA ANTERIORE	BOITE D'ESSIEU ROUE AVANT FRONT WHEEL SPACER	1	
07A		00G01201271	VORDERRADACHSE ASSE RUOTA ANTERIORE HUNTER	AXE ROUE AVANT HUNTER FRONT WHEEL AXLE	1	
08A		00H01301291	DISTANZHULSE GHIERA RUOTA POSTERIORE LATO D	ENTRETOISE SPACER	1	
09A		00G01202021	BREMSSCHEIBE VORNE HUNTER DISCO FRENO ANTERIORE HUNTER	DISQUE DE FREIN AVANT HUNTER FRONT BRAKE DISC	1	
10A		00003112320	SCHEIBE RADACHSE 12'25X20X2 RONDELLA ASSE RUOTA.12'25X20X2	RONDELLE AXE ROUE 12'25X20X2. FRONT WHEEL AXLE WASHER	1	
11A		00004283000	INBUSSCHRAUBE 8M125X30 VITE TESTA ALLEN 8M125X30	BOULON ALLEN 8M125X30 SCREW ALLEN 8M125X30	1	
12A		00021012001	SCHRAUBE 12M150 DADO ESAGONALE 12M150 DIN-934/	ECROU T.HEXAG.12M150.DIN934/8 HEX NUT, 12 MM X 1.50	1	
13A		00H02401281	BEF.-SCHRAUBE BREMSSCHEIBE VITE FISSAGGIO DISCO FRENO PO	BOUL.SER.DISQUE FR.ARR.FEN.95 REAR BRAKE DISC SECURING SCRE	1	

Figr.	Vers.	KODEX CODICE CODE	BEZEICHNUNG / DENOMINAZIONE / DESIGNATION / NAME	MODELL / MODELLI MODELES / MODEL	N. Motor N° Motore N° Moteur Engine Nr.	Bild Stampa Fouille Diagram 12
40A		00G05000511	VERTEILERSTUCK RACCORDO	RACCORD RACOR	1	
41A		00G05000521	ZYLINDERKOPFDICHTUNG GUARNIZIONE TESTATA VAMOS	JOINT EN CULASSE VAMOS CYLINDER HEAD GASKET	1	
42A		00H02301441	THERMOKONTAKT TERMOCONTATTO . SENDA .	TERMO-CONTATC CLUTCH PLATE	1	

Figr.	Vers.	KODEX CODICE CODE	BEZEICHNUNG / DENOMINAZIONE / DESIGNATION / NAME		MODELL / MODELLI MODELES / MODEL	N. Motor N°. Motore N°. Moteur Engine Nr.	Blid Stampa Feuille Diagram 15
40A		00G06302581	BEF.-FEDER EINLASSROHR HUNTER MOLLA FISSAGGIO TUBO ASPIRAZIO	RESSORT FIX. TUBE D'ASPIRAT. BREATHER TUBE SECURING SPRING	1		
41A		00G04901261	SILENTBLOCK BEF. FILTERKASTEN SILENTBLOCK FISSAGGIO CASSA FI	SILENTBLOC FIX. BOITIER FILTRE FILTER BOX SECURING MOUNTS	1		
42A		00G06301201	HUELSE SILENTBLOCK BEF. FILTER GHIERA SILENTBLOCK FISSAGGIO C	DOUILLE SILENT. FIX. BOIT. FILT. FILTER BOX SECURING BUSHING	1		
43A		00G03000901	ABZIEHBILD CYLINDER DECALCO CYLINDER	ADHESIF CYLINDER. DECAL, CYLINDER.	1		

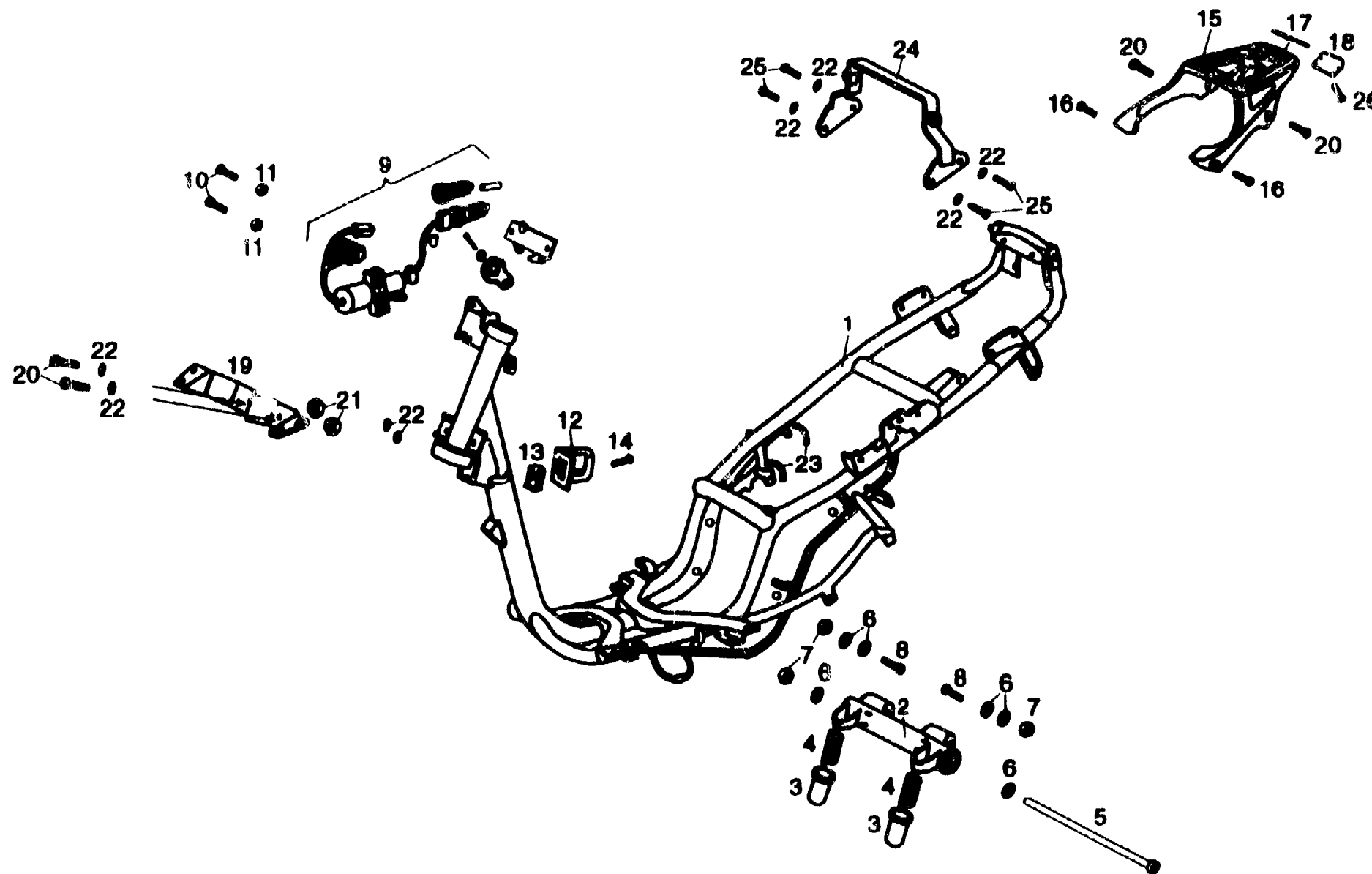
KODEX CODICE CODE	BILD STAMPA FEUILLE DIAGR.	FIG.	VERS.	KODEX CODICE CODE	BILD STAMPA FEUILLE DIAGR.	FIG.	VERS.	KODEX CODICE CODE	BILD STAMPA FEUILLE DIAGR.	FIG.	VERS.	KODEX CODICE CODE	BILD STAMPA FEUILLE DIAGR.	FIG.	VERS.
00000023051	007	37A		00000047110	017	30A		00008052000	011	23A		00014041200	006	16A	
00000023060	001	11A		00000047114	013	46A		00008053500	006	43A		00021010002	013	12A	
00000023060	002	19A		00000047119	012	19A		00008061500	004	08A		00021010002	016	20A	
00000023060	005	19A		00000051205	005	05A		00008083500	001	18A		00021012001	008	12A	
00000023060	007	19A		00000061040	002	04A		00008204500	003	12A		00023108000	005	16A	
00000023080	006	04A		00000061080	002	07A		00008915020	017	17A		00023108000	014	20A	
00000023080	001	21A		000018.2290	008	06A		00011031201	003	27A		00026005000	009	11A	
00000023100	001	07A		00003109060	005	07A		00011031401	005	11A		00026006001	012	28A	
00000023100	005	23A		00003111110	009	15A		00011031401	011	13A		00026006002	012	03A	
00000031040	014	30A		00003111120	009	16A		00011031401	001	27A		00026006002	017	07A	
00000031050	011	06A		00003112320	008	10A		00011033200	007	33A		00026010000	013	25A	
00000031050	004	13A		00003125280	002	26A		00011035001	011	16A		00032015000	005	08A	
00000031050	006	41A		00003515370	010	08A		00011051601	011	12A		00037000800	002	18A	
00000031050	017	23A		00003515370	004	30A		00011051601	004	36A		00054003001	010	17A	
00000031050	007	28A		00004054500	006	36A		00011051601	007	43A		00057020100	013	34A	
00000031060	004	20A		00004061600	005	09A		00011051801	010	07A		00057020400	013	36A	
00000031060	007	22A		00004061600	004	10A		00011051801	004	14A		00057120300	013	26A	
00000031060	016	26A		00004061600	009	12A		00011051801	015	33A		00058000000	017	26A	
00000031060	005	30A		00004061600	010	15A		00011052201	010	28A		00058020401	013	29A	
00000031060	006	34A		00004061600	006	33A		00011062000	014	38A		00058120100	008	05A	
00000031080	006	03A		00004061600	013	47A		00012043000	007	46A		00059220400	012	17A	
00000031080	001	22A		00004081200	001	25A		00012051200	004	03A		00066031200	012	22A	
00000031100	001	06A		00004114500	001	08A		00012051200	006	21A		80881152520	018	12A	
00000031100	005	22A		00004161200	013	52A		00012063000	004	28A					
00000033040	014	31A		00004161600	001	10A		00012151500	017	24A					
00000033060	010	11A		00004213500	005	24A		00012151500	012	35A					
00000033060	009	13A		00004283000	008	11A		00012152000	006	40A					
00000033060	012	27A		00005527540	016	09A		00012161600	007	17A					
00000033060	013	48A		00006052500	009	10A		00012161600	010	20A					
00000033080	008	18A		00006128280	013	32A		00012161600	004	27A					
00000033100	012	10A		00006309260	006	19A		00012161600	005	27A					
00000033100	005	25A		00006321040	006	18A		00012162000	005	45A					

Husqvarna

**RHAMEN
TELAIO
CADRE
FRAME**

**MODELLE / MODELLOS
MODELE / MODELS:
HUSQVARNA WRS 50**

**Blld
Stam.
Fot/No
Diagr.
1**



Figr.	Vers.	KODEX CODICE CODE	BEZEICHNUNG / DENOMINAZIONE / DESIGNATION / NAME	MODELL / MODELLI MODELES / MODEL	N. Rahmen N° Telaio N° Cadre Frame Nr.	BND Stampe Feuille Diagram 5
01A		00G00800221	STAENDER SCHWARZ HUNTER SUBCOMPLESSO CAVALLETTO NERO H	SOUS-ENSEMB. BEQUILLE NOIR HU CENTRE STAND SUB-ASSY (BLACK)	1	
02A		00G00800081	STAENDERFEDER MOLLA CAVALLETTO	RESSORT BEQUILLE CENTRE STAND SPRING	1	
03A		00G00800071	STANDERACHSE ASSE CAVALLETTO	AXE BEQUILLE CENTRE STAND SHAFT	1	
04A		00D02500271	BEF.-SCHEIBE MOTOR 125 D8.4X0, RONDELLA FISSAGGIO MOTORE (12	RONDELLE FIX.MOTEUR (125)D8,4 ENGINE SECURING WASHER	1	
05A		00000051205	SPLINT 2X18.DIN-94 CHIAVISTELLO APERTO 2X18.DIN-9	CHEVILLE OUVERTE 2X18.DIN-94 SPLIT PIN	1	
06A		00G00800051	BEF.-SCHRAUBE STADERFEDER VITE FISSAGGIO MOLLA CAVALLETT	BOULON SERRAGE RESSORT BEQUIL CENTRE STAND SPRING SECURING	1	
07A		00003108060	ANSCHLAG F. STAENDER FERMO CAVALLETTO	BUTEE DE BEQUILLE CENTRE STAND STOP	1	
08A		00032015000	SCHEIBE D.15 DIN125-A-ST RONDELLA PIATTA D.15.D-125	RONDELLE PLATE D.15.DIN125-A- FLAT WASHER, D15	1	
09A		00004061600	INBUSSCHRAUBE 6M100X16.D-912/8 VITE T/BRUGO.6M100X16.D912.8.8	VIS T.CREUSE 6M100X16.D-912/8 ALLEN SCREW M6X16	1	
10A		00G06801051	ANSCHLAG HINTEN VERSCHLUSSKABE FERMO POSTERIORE CAVO CHIUSURA	BUTEE ARR.CABLE FERM.SELLE H. REAR SADDLE LOCKING CABLE LUG	1	
11A		00011031401	GEWINDESCHNEIDSCHRAUBE 3,6X14 VITE AUTOFILETTANTE 3,6X14 NER	VIS TARAUD 3,6X14 NOIR CL89H SELF-TAPPING SCREW	1	
12A		00G06801061	ANSCHLAG VORN VERSCHLUSSKABEL FERMO ANTERIORE CAVO CHIUSURA	BUTEE AVANT CABLE FERM.SELLE FRONT SADDLE LOCKING CABLE LU	1	
13A		00G00802011	SEITENSTANDER HUNTER SUBCOMPLESSO ZAMPA CAVALETTO N	SOUS-ENS.JAMBE BEQUILLE NOIR SIDE STAND SUB-ASSY	1	

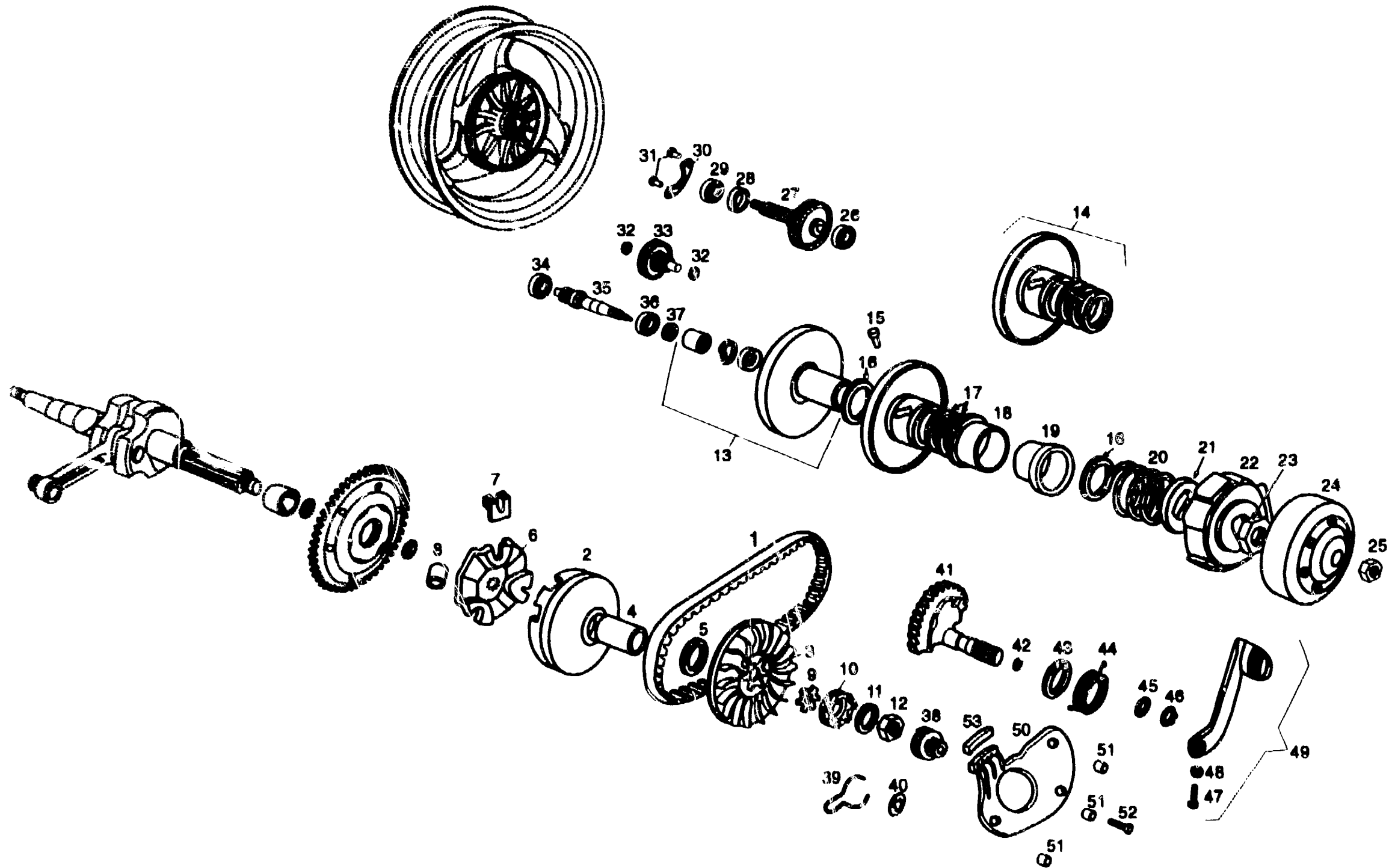
Figr.	Vers.	KODEX CODICE CODE	BEZEICHNUNG / DENOMINAZIONE / DESIGNATION / NAME	MODELL / MODELLI MODELES / MODEL	N. Rahmen N° Telaio N° Cadre Frame Nr.	Std Stampa Part No Diagram 8
14A		00F01201121	ABDECKUNG COPRIMOZZO RUOTA ANT. URBAN	FLASQUE ROUE AV. FRONT HUB CAP	1	
15A		00G01202193	BREMSZANGE SUBCOMPLESSO GANASCI FRENO ANT	ENS.ETRIER DE FREIN REAR CLIP ASSY	1	
16A		00F04700121	ENTLUFTUNGSVENTIL COMP.PURGAT.PINZA FRENO ANT.	EPURATEUR DRAIN PLIER FRONT BRAKE ASSEM	1	
17A		00G04700141	BREMSBELAG VORNE PASTIGLIE FRENO POSTERIORE FDS	PLAQUETTE DE FREIN FRONT BRAKE PAD	1	
18A		00000033080	FEDERSCHEIBE D.8.DIN-127-B RONDELLA MOLLA D8.D127-B	RONDELLE A RESSORT D.8.D-127- SPRING WASHER D.8 DIN-127-B	1	
19A		00G04700131	ZWISCHENPLATTE DES BREMSBELAGE SPESSORE INTER.PER PASTIGLIA F	CALE DE PLAQU.DE FREIN ANTI B INTERMEDIATE PLATE, BRAKE PAD	1	
20A		00H01301831	FEDER MOLLA	RESSORT SPRING	1	

Husqvarna

VARIATOR - GETRIEBE - KICKSTARTER
VARIATEUR - REDUCTEUR - DEMARREUR
VARIATORE - RIDUCTORE - AVVIAMENTO
VARIABLE SPEED DRIVER - REDUCTION GEAR - KICKSTARTER

MODELLE / MODELLOS
MODELE / MODELS:
HUSQVARNA WRS 50

Bild
Stamm.
Feuille
Diagr.
13

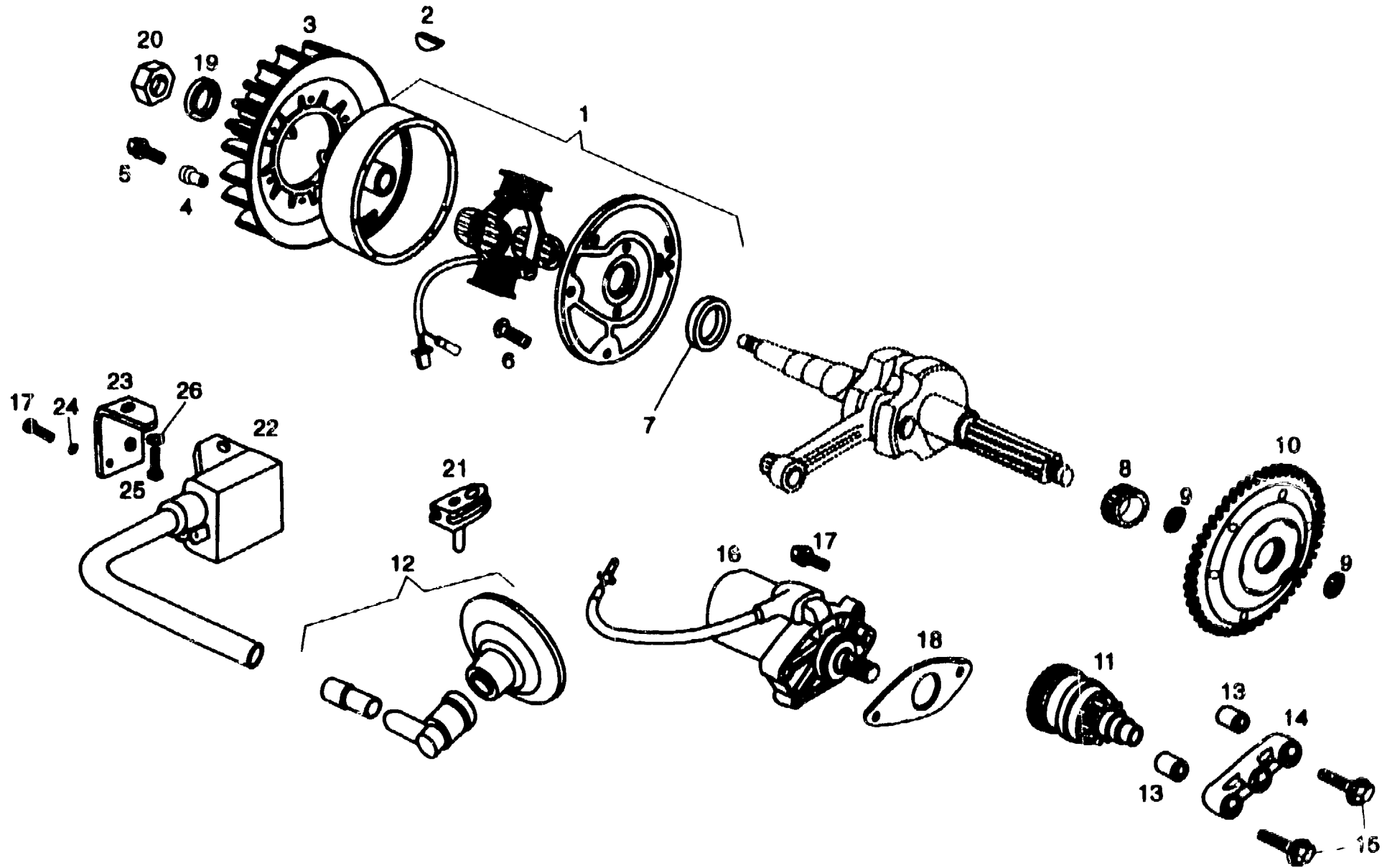


Husqvarna

**ZÜNDUNG
VOLANO ELETTRONICO
VOLANT MAGNETIQUE
MAGNETO ASSEMBLY**

**MODELLE / MODELLOS
MODELE / MODELS:
HUSQVARNA WRS 50**

**Bild
Stamm.
Feuille
Magr.
16**



Figr.	Vers.	KODEX CODICE CODE	BEZEICHNUNG / DENOMINAZIONE / DESIGNATION / NAME	MODELL / MODELLI MODELES / MODEL	N. Rahmen N°. Telaio N°. Cadre Frame Nr.	Brd Stampa Feuille Diagram 1
01A		00G01915601	RAHMEN SUB.TELAIO	CADRE COMPLET FRAME SUB-ASSEMBLY	1	
02A		00G04802961	MOTORHALTER MIT SILENTBL. HUNT COMPLESSO SUPPORTO MOTORE CON	ENSEM.SUP.MOTEUR A/SILENTB.HU ENGINE BRACKET AND RUBBER BUS	1	
03A		00G06300571	FEDERSCHUTZ MOTORHALTER PROTEZIONE .MOLLA AMMORTIZZATO	PROTEC.RESSORT AMORT.SUPP.MOT ENGINE BRACKET SHOCK ABSORBER	1	
04A		00G01500511	FEDER MOTORHALTER MOLLA AMMORTIZZATORE SUPPORTO	RESSORT AMORTISSEUR SUPPORT M ENGINE BRACKET SHOCK ABSORBER	1	
05A		00G03001271	MOTOR BEFESTIGUNGS-SCHRAUBE HU VITE FISSAGGIO MOTORE HUNTER	BOULON DE SERRAGE MOTEUR HUNT ENGINE SECURING SCREW	1	
06A		00000031100	SCHEIBE D.10 RONDELLA PIATTA MECCANIZZATA D	RONDELLE PLATE MECANISEE D.10 MACHINED FLAT WASHER D.10	1	
07A		00000023100	MUTTER SELBSTS. M10X150 D-985 DADO AUTOBLOCC 10.M150 DIN-985	ECROU INDESSER. 10M150 D985 8 SELF-LOCKING NUT M10	1	
08A		00004114500	INBUSSCHRAUBE 10M150X45 D912 8 VITE TESTA ALLEN 10M150X45 DIN	VIS TETE CREUSE 10M150X45D912 ALLEN SCREW 10M150X45 D912 8	1	
09A		00G05901251	SCHLOSS-SATZ HUNTER COMPLESSO KIT SERRATURE HUNTER	ENS.KIT SERRURES HUNTER LOCK ASSEMBLY KIT	1	
10A		00004161600	INBUSSCHRAUBE 6M100X16.DIN-798 VITE TESTA ALLEN 6M100X16.DIN-	VIS TETE CREUSE.6M100X16DIN-7 ALLEN SCREW 6M100X16	1	
11A		00000023060	MUTTER DADO AUTOBLOCCANTE 6M100.D-985	ECROU INDESSERRABLE 6M100.DIN SELF-LOCKING NUT M6	1	
12A		00G06301111	GEPAECKHAKEN HUNTER COMPLESSO PORTASACCHI HUNTER	ENSEMBLE PORTE-SAC HUNTER BAG CARRIER ASSY	1	
13A		00G06800311	BUEGEL HINTEN HUNTER VITE FISSAGGIO PORTASACCHI HUN	ECROU FIXATION PORTE-SAC HUNT BAG CARRIER SECURING NUT	1	

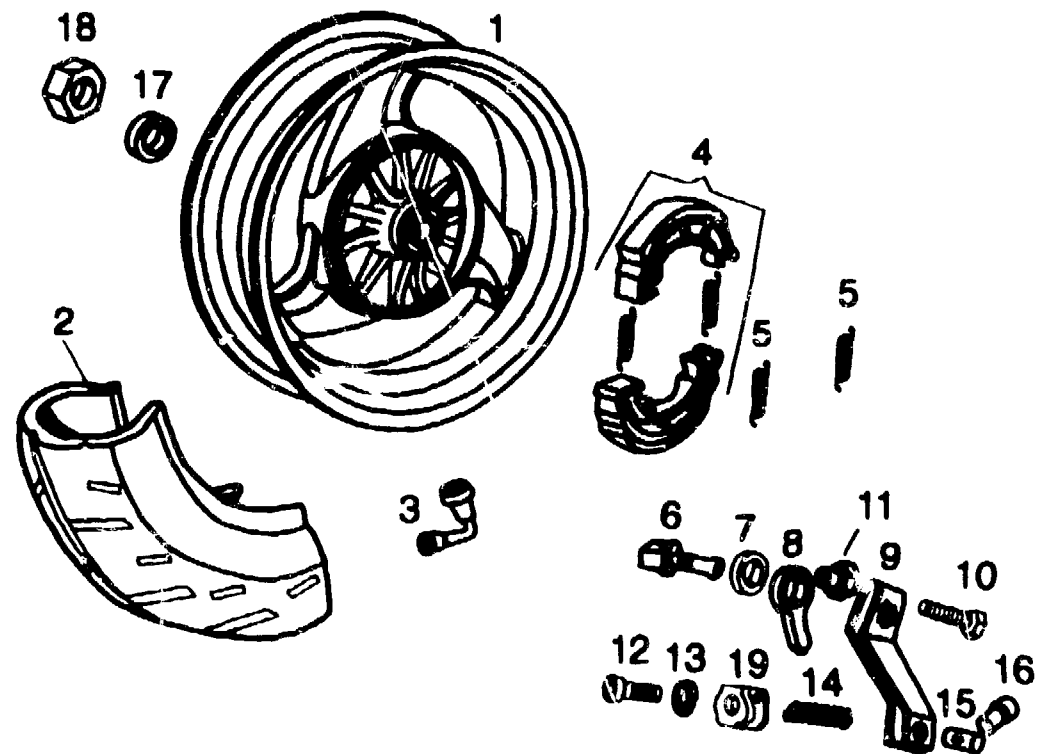
Figr.	Vers.	KODEX CODICE CODE	BEZEICHNUNG / DENOMINAZIONE / DESIGNATION / NAME	MODELL / MODELLI MODELES / MODEL	N. Rahmen N° Telaio N° Cadre Frame Nr.	Bild Stampa Fotografie Diagram 5
14A		00G00801071	STANDERBOLZEN VITE FISSAGGIO ZAMPA CAVALLETT	BOULON SERRAGE JAMBE BEQUILLE SIDE STAND SECURING SCREW	1	
15A		00H00801261	HUELSE F. STANDER GHIERA GIRO ZAMPA CAVALLETTO S	DOUILLE ROT.JAMBE BEQUILLE SE SIDE STAND BUSHING	1	
16A		00023108000	MUTTER SELBSTS DADO AUTOBLOCCANTE 8M125.D-985	ECROU INDESSERABLE 8M125.DIN9 SELF-LOCKING NUT M8	1	
17A		00G05700601	SCHALTER HAUPTSTAENDER COMPLESSO INTERRUPTORE CAVALLE	ENS.INTERRUPTEUR BEQUILLE CEN CENTRE STAND SWITCH ASSY	1	
18A		00D01200171	SCHEIBE RONDELLA ASSE LEVA FISSAGGIO C	ROND.AXE CAME FIX.COUVRE-CHAI WASHER	1	
19A		00000023060	MUTTER DADO AUTOBLOCCANTE 6M100.D-985	ECROU INDESSERRABLE 6M100.DIN SELF-LOCKING NUT M6	1	
20A		00G01503191	STOSSDAMPFER HINTEN COMPLESSO AMMORTIZZATORE	ENSEMBLE AMORTISSEUR SHOCK ABSORBER ASSY	1	
21A		00G01800901	BEF.-SCHRAUBE OBEN VITE FISSAGGIO SUPERIORE AMORT	BOUL.SERRAGE SUPPORT AMORTISS SHOCK ABSORBER BRACKET SECURI	1	
22A		00000031100	SCHEIBE D.10 RONDELLA PIATTA MECCANIZZATA D	RONDELLE PLATE MECANISEE D.10 MACHINED FLAT WASHER D.10	1	
23A		00000023100	MUTTER SELBSTS. M10X150 D-985 DADO AUTOBLOCC 10.M150 DIN-985	ECROU INDESSER. 10M150 D985 8 SELF-LOCKING NUT M10	1	
24A		0000421350G	INBUSSCHRAUBE 10M125X35.D912/8 VITE TESTA ALLEN 10M125X35 DIN	VIS T.CREUSE 10M125X35.D912/8 ALLEN SCREW	1	
25A		00000033100	FEDERRING D.10.DIN-127-B. RONDELLA MOLLA D.10 DIN-127-B	RONDELLE A RESSORT D.10.DIN12 SPRING WASHER D.10 DIN-127-B	1	
26A		00G06302721	HELMTRAEGER MIT DICHTGUMMI COMPI' SSO PORTAELMETTO CON PRO	ENSEMBLE PORTE-CASQUE AVEC PR HELMET CARRIER AND RUBBER SEA	1	

Husqvarna

**HINTERRAD UND BREMSANLAGE
RUOTA POSTERIORE
ROUE ARRIERE
REAR WHEEL**

**MODELLE / MODELLOS
MODELE / MODELS:
HUSQVARNA WRS 50**

**Bild
Stam.
Feuille
Diagr.
9**



Figr.	Vers.	KODEX CODICE CODE	BEZEICHNUNG / DENOMINAZIONE / DESIGNATION / NAME	MODELL / MODELLI MODELES / MODEL	N. Motor N°. Motore N°. Moteur Engine Nr.	Stampa Feuille Diagram 13
01A		00G02603371	KEILRIEMEN CINGHIA VARIATORE HUNTER	COURROIE VARIATEUR HUNTER DRIVE BELT	1	
02A		00G02604461	VARIATORREGLER SEMIPULEGGIAANT.COMPL.	SOUS-ENS.CLOCHE GLISSEMENT MA WEIGHTS DISPLACEMENT PULLEY	1	
03A		00G02604381	ANTRIEBSRIEMENSCHLEIBE PULEGGIA MOTRICE	POULIE MENANTE HUNTER DRIVE PULLEY	1	
04A		00G03602651	BUSHING GHIERA	DOUILLE BUSHING	1	
05A		00G03600941	SCHEIBE RONDELLA	RONDELLE WASHER	1	
06A		00G02603831	REGLERPLATTE BARRA SLITTAMENTO MASSE VMOS-K	PLAQUE GLISSEMENT MASSES VAMO WEIGHT COVER	1	
07A		00G03602091	FUEHRUNG F. REGLERPLATTE GUIDA PIASTRA SPOSTAM.MASSE	GUIDE PLAQUE GLISSEMENT MASSE WEIGHT COVER GUIDE	1	
08A		00F03601111	REGLERROLLE SUBCOMP.RULLO MASSA CENTR.URB.	GALET COMPLET CENTRIFICAL WEIGHT	1	
09A		00G02901091	SCHEIBE RONDELLA	RONDELLE WASHER	1	
10A		00G02900271	LAGERSCHALE ANLASSER VAMOS-K SCODELLINO AVVIAMENTO VAMOS-K	CUVETTE DEMARRAGE VAMOS-K STARTER BOSS	1	
11A		00G02601651	SCHEIBE KURBELWELLE RE./LI. VA RONDELLA ALBERO GOMITO DESTRA/	RONDELLE VILEBREQUIN D/G.VAMO CRANKSHAFT WASHER RIGHT/LEFT	1	
12A		00021010002	SECHSKANTSCHRAUBE 10MX1,25 DIN DADO ESAGON.10MX1,25	ECROU HEXAG.10M1,25 DIN934-8. HEX NUT 10M125	1	
13A		00G03602261	FESTE ROLLE MIT LAGERN R-COMPLESSO PULEGGIA FISSA CON	R-ENS. POULIE FIXE A/COUSSINE FIXED PULLEY W/BEARINGS ASSY	1	

Figr.	Vers.	KODEX CODICE CODE	BEZEICHNUNG / DENOMINAZIONE / DESIGNATION / NAME	MODELL / MODELLI MODELES / MODEL	N. Motor N° Motore N° Moteur Engine Nr.	BK Stampa Feuille Diagram 16
01A		00G03303011	ELEKTRONISCHES SCHWUNGRAD KOMP COMPLESSO VOLANO ELETTRONICO V	ENSEMBLE VOLANT ELECTR. MAGNETO ASSEMBLY	1	
02A		00G03300231	KEIL F. ELEKTRONISCHES SCHWUNG CHIAVETTA VOLANO ELETTRONICO	CLAVETTE VOLANT ELECTRONIQUE KEY, FLYWHEEL	1	
03A		00G03601511	TURBINE KOMPL. VAMOS-K COMPLESSO VENTOLA VAMOS-K	ENSEMBLE TURBINE VAMOS-K BLOWER ASSY	1	
04A		00G03601871	BEF.-HUELSE TURBINE GHIERA FISSAGGIO VENTOLA	DOUILLE DE SERRAGE TURBINE BLOWER SECURING BUSH	1	
05A		00G03600991	BEF.-SCHRAUBE TURBINE HUNTER () VITE FISSAGGIO VENTOLA HUNTER	BOULON SERRAGE TURBINE H. (6X1 BLOWER SECURING SCREW	1	
06A		00000013616	SENKSCHRAUBE 6M100X16 VITE INCASSATA A BRUGOLA NERA	VIS T.FRAIS.CREU.6M100X16 N.D COUNTERSUNK ALLEN SCREW 6M100	1	
07A		00G03300751	KLINKE ELEKTR. SCHWUNGRAD 18,9 GIUNTO TENUTA VOLANO ELETTRONI	JOINT VOLANT ELECT.BA.18,9X30 MAGNETO SEAL	1	
08A		00G03800181	ANTRIEBSRITZEL PIGNONI	PIGNONS GEAR	1	
09A		00005527540	STELLSCHEIBE ROND.REG.VITE PIAS.FIS.MARCE	ROND.REG.DE VIS LEVIER-FREIN GEAR SELECTOR LEVER SCREW SHI	1	
10A		00G03900311	ANLASSERRAD SUBCOMPLESSO RUOTA AVVIAMENTO	S-ENS. ROUE DEMARREUR STARTER GEAR SUB-ASSY	1	
11A		00G03901851	ANTRIEBSRITZEL ELEKTR. ANLASSE COMPLESSO PIGNONI MOTORINO AVV	ENS.PIGNONS DEMARREUR EL.VAMO ELECTRIC START GEAR ASSY	1	
12A		00G03300831	ZUENDKERZENMUTTER MIT KAPPE R-COMPLESSO PPP CANDELA CON CA	R-ENS. PIPE BOUGIE A/CAPUCHON SPARK PLUG CAP AND COVER ASSY	1	
13A		00G03001021	ZENTRIERUNGEN MOTORGEHAEUSE VA CENTRATORE CARTER VAMOS-K	CENTREUR CARTERS VAMOS-K CRANKCASE LOCATOR	1	

Figr.	Vero.	KODEX CODICE CODE	BEZEICHNUNG / DENOMINAZIONE / DESIGNATION / NAME	MODELL / MODELLI MODELES / MODEL	N. Rahmen N° Telaio N° Cadre Frame Nr.	Blatt Stampa Foglio Diagram 1
14A		00000012410	SCHRAUBE MIT HALBRUNDKOPF 4M70 VITE TONDO CROCE 4M70X10 DIN-	VIS TETE RONDE CR.4M70X10D798 ROUNDHEAD PHILIPS SCREW (BLAC	1	
15A		00G01407191	GEPAECKTRAGER ENSEMBLE PORTE-PAQUET AR.	COMPLESSO PORTAPACCHI POSTER REAR CARRIER ASSY	1	
16A		00000004845	INBUSSCHRAUBE 8M125X45 D.9128 VIS T. CREUSE 8M125X45	VITE/BRUGOLA 8M125X45 D.9128 ALLEN SCREW	1	
17A		00G01401181	SCHRIFTZUG DECALCO	ADHESIF DECAL	1	
18A		00G01401251	HALTERUNG F. GEPAECKKOFFER HUN SUPPORT COFFRE A BAGAGES AR. HU	SUPPORTO VALIGIA POSTERIORE REAR LUGGAGE BOX BRACKET	1	
19A		00G04801891	HALTERUNG F. FRONTSCHILD HUNTE SUPPORTO FISSAGGIO SCUDO FRONT	SUPPORT ECU FRONTAL HUNTER FRONT SHIELD BRACKET	1	
20A		00000004820	INEUSSCHRAUBE 8M125X20 VITE TESTA ALLEN 8M125X20.D-	VIS TETE ALLEN 8M125X20 HEX.SOCKET-HEAD SCREW 8M125X2	1	
21A		00000023080	MUTTER SELBSTS 8M125. DIN-982 DADO AUTOBLOCCANTE 8M 125.DIN-	ECROU INDESSERRABLE 8M125.DIN SELF-LOCKING NUT M8	1	
22A		00000031080	SCHEIBE D.8. DIN125 RONDELLA PIATTA MECCANIZZATAZA	ROND.PLATE MECANISEE D.8.DIN1 MACHINED FLAT WASHER D8 DIN-1	1	
23A		00G01800841	SCHUTZHUELLE F. FLANSCHEN HUNTE FODERO PROTETTORE STAFFE TELAI	FOURREAU PROTECT.BRIDES CHAS. FRAME CLIP PROTECTING SLEEVE	1	
24A		00G01401301	BEFEST.-BRUECKE GEPAECKTRAEGER SUBCOMPLESSO TRAVE FISSAGGIO P	S-ENS.PONT FIX. PORTE-PAQ.HUN REAR CARRIER SECURING FRAME S	1	
25A		00004081200	INBUSSCHRAUBE 8M125X12.DIN-798 VITE TESTA ALLEN 8M125X12 DIN-	VIS TETE CREUSE 8M125X12.DIN- ALLEN SCREW	1	
26A		00G06300861	BEF.-SCHRAUBE ZUSATZ FRONTSCHI BOUL.SERG.SUPPLE.ECRU FR.D.4,5	VITE FISSAGGIO SUPLEMENTO FRONT SHIELD EXTENSION SECURI	1	

Figr.	Vers.	KODEX CODICE CODE	BEZEICHNUNG / DENOMINAZIONE / DESIGNATION / NAME	MODELL / MODELLI MODELES / MODEL	N. Rahmen N° Telaio N° Cadre Frame Nr.	Bild Stampa Foglio Diagram 5
27A		00012161600	SCHRAUBE 6M100X16 D-7985 VITE TESTA CROCE NERA 6M100X1	VIS T.CROIX NOIR 6M100X16 D-7 PHILIPS SCREW	1	
28A		00H00500212	REF.-SCHEIBE HELMTR. HUNTER RONDELLA FISSAGGIO PORTAELEMET	ROND.FIX.PORTE-CASQUE (NOIR)H HELMET CARRIER SECURING WASHE	1	
29A		00D01501371	SICHERUNGSMUTTER REF. KETTENS DADO FISSAGGIO COPRICATENA .21	ECROU FIX. GARDE-CHAINE 21309 NUT	1	
30A		00000031060	SCHEIBE D.6. RONDELLA PIATTA MECCANIZZATA D	ROND. PLATE MECANISEE D6DIN12 MACHINED FLAT WASHER D6 DIN-1	1	
31A		00G01800221	VERGASERDECKEL HUNTER COPERCHIO REGISTRO CARBURATORE	COUVERCLE ACCES CARBURATEUR H CARBURETTOR ACCESS COVER	1	
32A		00G06301551	DICHTGUMMI HELMTRAEGER PROFILO PORTAELMETTO HUNTER	PROFIL PORTE-CASQUE HUNTER HELMET CARRIER RUBBER SEAL PR	1	
33A		00G01833101	TYPENSCHILD PLACCA CARATTERIST.	PLAQUE CARACTERISTIQUES PLATE	1	
34A		00G00601181	VERSCHLUSSKABEL SITZ HUNTER SUBCOMPLESSO CAVO CHIUSURA SEL	SOUS-EN.CABLE FERMETURE SELLE SADDLE LOCKING CABLE ASSY	1	
35A		00G00600201	STAENDERFEDER MOLLA	RESSORT SPRING	1	
36A		00G00604141	VERSCHLUSSNOCKEN SITZ HUNTER LEVA CHIUSURA SELLA HUNTER	CAME FERMETURE SELLE HUNTER SADDLE LOCKING CAM	1	
37A		00G06800501	PLATTE DES SITZBANKSCHLOSSES PLACCA SERFATURA SELLA	PLAQUE VERROUILLAGE DE LA SEL PLATE, SEAT FITTING	1	
38A		00000004515	INBUSSCHRAUBE 5M80X15 D912/8.8 VITE TESTA ALLEN 5M80X15.DIN-9	VIS T.CREUSE 5M80X15 D912/8.8 ALLEN SCREW M5X15	1	
39A		00D02600631	SCHEIBE RONDELLA FERMO MOLLA FRIZIONE	ROND.BUTEE RESSORT EMBRAYA.4- CLUTCH SPRING STOP WASHER	1	

Figr.	Vers.	KODEX CODICE CODE	BEZEICHNUNG / DENOMINAZIONE / DESIGNATION / NAME	MODELL / MODELLI MODELES / MODEL	N. Rahmen N° Telaio N° Cadre Frame Nr.	Stempel Feuille Diagram 9
01A		00G02401152	FELGE HINTEN R-SUBCOMPLESSO CERCHIONE POSTE	R-S.ENS.JANTE ARRIERE REAR WHEEL ASSY	1	
02A		00G01300321	REIFEN 130/60X13 COPERTONE 130/60X13	PNEU ARRIERE 130/60X13 TYRE	1	
03A		00G04701091	LUFTVENTIL RAEDER COMPLESSO VALVOLE ARIA RUCTE	ENSEMB.SOUPAPE D'ADMISS.AIR R VALVE, TYRE	1	
04A		00G01300931	BREMSBACKEN HINTEN MIT FEDERN COMP.GANASCIA FRE. C/MOLLE AV.	ENS.MACH. FREIN A/RESSORT VAM REAR BRAKE SHOE AND SPRINGS A	1	
05A		00G01200241	FEDER BREMSBACKEN HINTEN MOLLA GANASCIA FRENO ANT./POST	RESSORT MACHOIRES FREIN AV./A SPRING, BRAKE SHOE RETURN	1	
06A		00G01300231	NOCKENACHSE BREMSBACKEN ASSE LEVA GANASCE	AXE CAME MACHOIRES BRAKE SHOES CAM SHAFT	1	
07A		00G01200911	SCHEIBE STAUBSCHUTZ NOCKENACHS RONDELLA PARAPOLVERE ASSE CAMM	RONDELLE CACHE-POUSSIÈRE AXE WASHER	1	
08A		00G01200721	VERSCHLEISSANZEIGE BREMSBELAG INDIC. DETER.FODERA GANASC.DES	INDIC.USURE GARNITURE MACHOIR FRONT BRAKE SHOE WEAR INDICAT	1	
09A		00G01302121	BREMSHEBEL HINTEN LEVA FRENO POSTERIORE HUNTER	LEVIER DE FREIN ARRIERE HUNT REAR BRAKE ARM	1	
10A		00006052500	INBUSSCHRAUBE MIT FLANSCH 5M80 VITE ESAGONALE TESTA FLANGIA 5	VIS HEXAG.A/BRIDE 5M80X25D692 HEX HEAD SCREW WITH FLANGE	1	
11A		00026005000	MUTTER M. FLANSCH 5M80.D6923 DADO ESAG.C/FLANGIA 5M80	ECROU HEXAG.A/BRIDE 5M80 D692 HEX NUT WITH FLANGE	1	
12A		00004061600	INBUSSCHRAUBE 6M100X16.D-912/8 VITE T/BRUGO.6M100X16.D912.8.8	VIS T.CREUSE 6M100X16.D-912/8 ALLEN SCREW M6X16	1	
13A		00000033060	FEDERRING D.6.DIN-127-B RONDELLA MOLLA D.6.D-127-B.	RONDELLE A RESSORT D6 D-127-B SPRING WASHER D6	1	

Figr.	Ver.	KODEX CODICE CODE	BEZEICHNUNG / DENOMINAZIONE / DESIGNATION / NAME	MODELL / MODELLI MODELES / MODEL	N. Motor N°. Motore N°. Moteur Engine Nr.	Enc Stampo Feuille Diagram 13
14A		00G03602591	ROLLE MIT KLINKEN R-COMPLESSO PULEGGIA MOBILE CO	R-ENSEMB. POULIE MOBILE A/JOIN SLIDING PULLEY W/SEALS ASSY	1	
15A		00G03601911	FUEHRUNGSBOLZEN PERNO GUIDA BOCCOLA MOBILE VAM	PIVOT GUIDE FRETTE MOBILE VAM SLIDING BOSS GUIDE PIN	1	
16A		00G02601301	DICHTRING 33X39X4 TENUTA SOCCOLA MOBILE 33X39X4	ANNEAU FRETTE MOBILE. 33X39X4 SLIDING BOSS SEAL	1	
17A		00G02601881	OELDICHTRING 38X2 ANELLO RITEN. GRASSO 39,7X1,5	JOINT D'ARRET DE GRAISSE 38X2 GREASE RETAINING WASHER	1	
18A		00G03601901	FUEHRUNGSBUCHSE GHIERA GUIDA MOLLA VAMOS-K	GAINÉ DE RESSORT VAMOS-K SPRING GUIDE BUSH	1	
19A		00G03600971	GLEITHUELSE F. REGLERFEDER GHIERA SPOSTAMENTO MOLLA VARIA	ENTRETOISE VARIAT. DRIVE SPRING SLIDING BUSH	1	
20A		00G02602211	REGLER-FEDER HUNTER MOLLA VARIATORE HUNTER	RESSORT VARIATEUR HUNTER VARI-SPEED DRIVE SPRING	1	
21A		00G02600641	FUEHRUNGSSCHALE F. REGLERFEDER SCODELLINO GUIDA MOLLA VARIATO	CUVETTE GUIUDE RESSORT VARIAT VARI-SPEED DRIVE SPRING GUIDE	1	
22A		00G02605821	KUPPLUNG COMPLESSO PLACCA GANASCIA FRI.	ENS. PLAQUE MACHOIRE EMBRAY. CLUTCH FRICTION PLATE ASSY	1	
23A		00F02601401	MUTTER F. KUPPLUNG DADO FRIZIONE URBAN	ECROU EMBRAYAGE URBAN CLUTCH NUT	1	
24A		00G03603081	KUPPLUNGSGLOCKE SUBCOMPLESSO CAMPANA FRIZIONE	SOUS-ENSEMBLE CLOCHE EMBRAYAG CLUTCH HUB SUB-ASSY	1	
25A		00026010000	BUEGEL DADO	ECROU NUT	1	
26A		00057120300	KUGELLAGER 6203-C3 17.40.12 CUSCINETTO 6203-C3 17.40.12	COUSSINET 6.203 C-3 17.40.12 BEARING 6203 C-3 17.40.12	1	

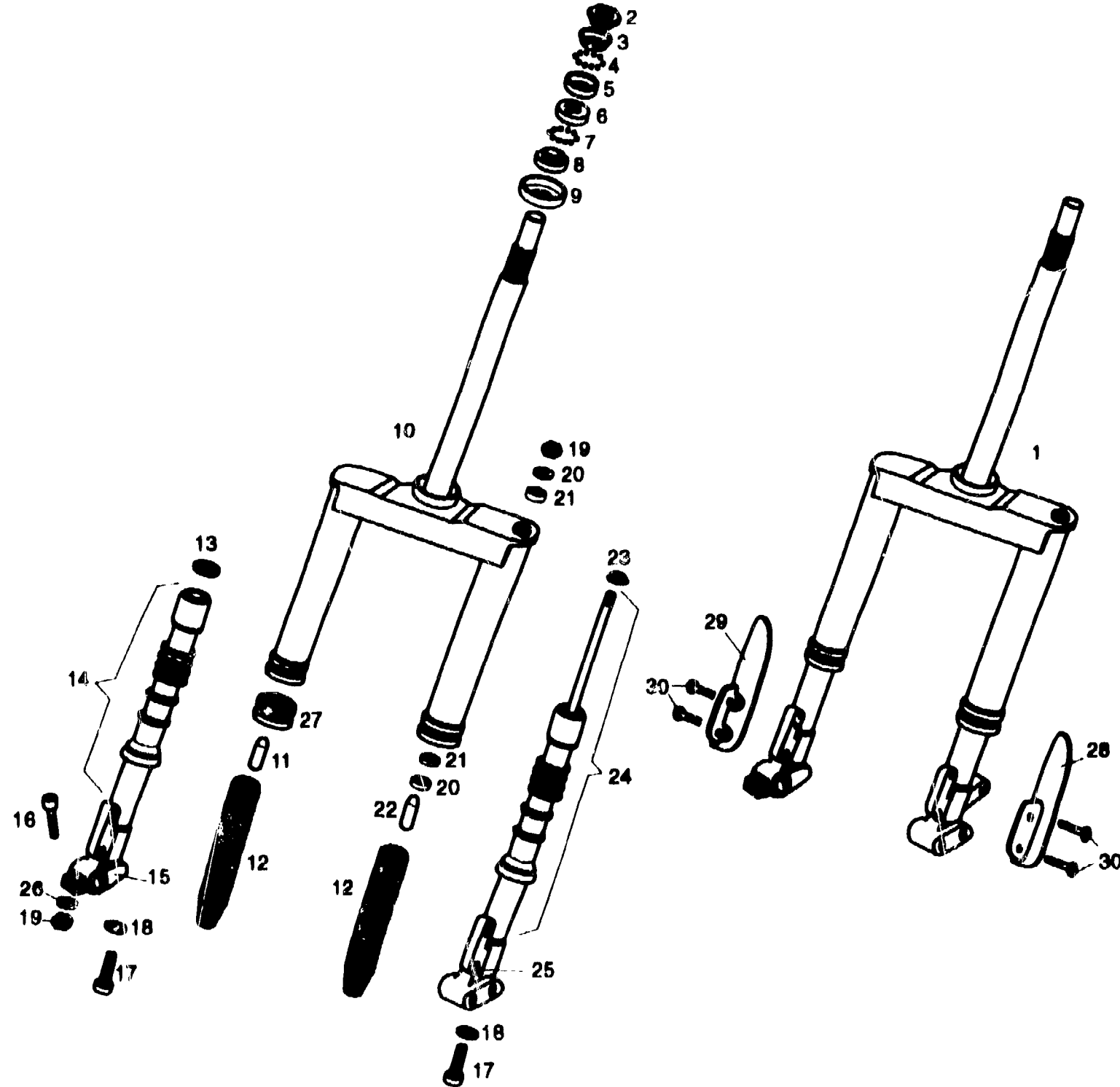
Figr.	Vers.	KODEX CODICE CODE	BEZEICHNUNG / DENOMINAZIONE / DESIGNATION / NAME	MODELL / MODELLI MODELES / MODEL	N. Motor N°. Motore N°. Moteur Engine Nr.	Bild Stampa Feuille Diagram 16
14A		00G03901871	AUFLAGE ANLASSER-MOT. SUBCOMPLESSO FLANGIA APPOGGIO	S-ENS.PLATINE APPUI DEMARREUR STARTER MOTOR SUPPORT PLATE S	1	
15A		00G03900821	BEF.-SCHRAUBE 6X30 VITE FISSAGGIO PIATTO MOTORINO	BOULON SERRAGE PLAT.DEMAR.H.6 STARTER MOTOR SUPPORT PLATE S	1	
16A		00G03901891	ELEKTRISCHER ANLASSER VAMOS-K. COMPLESSO MOTORINO AVVIAMENTO	ENS.DEMARREUR ELECTR. VAMOS-K STARTER MOTOR ASSY	1	
17A		00G03000211	BEF.-SCHRAUBE LI. GEHAEUSEHAEL VITE FISSAGGIO COPERCHIO CARTE	BOULON SERG.COUV.CARTER G.H.6 LEFT CRANKCASE COVER SECURING	1	
18A		00G03900501	DICHTUNG GUARNIZIONE	JOINT GASKET	1	
19A		00G02601651	SCHEIBE KURBELWELLE RE./LI. VA RONDELLA ALBERO GOMITO DESTRA/	RONDELLE VILEBREQUIN D/G.VAMO CRANKSHAFT WASHER RIGHT/LEFT	1	
20A		00021010002	SECHSKANTSCHRAUBE 10MX1,25 DIN DADO ESAGON.10MX1,25	ECROU HEXAG.10M1,25 DIN934-8. HEX NUT 10M125	1	
21A		00G03300281	KABELSCHUTZ ELEKTR. SCHWUNGRAD PASSACAVI VOLANO ELETTRICO VAM	PASSE-CABLES VOLANT ELECT.VAM MAGNETO CABLE RUBBER GROMMET	1	
22A		00G03306171	ELEKTR. WANDLER COMPLESSO CONVERTITORE ELETTRICO	ENS.CONVERTISSEUR ELECTR. IGNITION COIL	1	
23A		00G04401241	HALTERUNG F. ELEKTR. WANDLER H SUPPORTO CONVERTITORE ELETTRICO	SUPPORT CONVERTIS.ELECTR.HUNT HT COIL BRACKET	1	
24A		00D01200171	SCHEIBE RONDELLA ASSE LEVA FISSAGGIO C	ROND.AXE CAME FIX.COUVRE-CHAI WASHER	1	
25A		00000004612	SCHRAUBE 6M100X12. VITE TESTA ALLEN 6M100X12 DIN-	VIS A TETE ALLEN 6M100X12. SCREW M6X12	1	
26A		00000031060	SCHEIBE D.6. RONDELLA PIATTA MECCANIZZATA D	ROND. PLATE MECANISEE D6DIN12 MACHINED FLAT WASHER D6 DIN-1	1	

Husqvarna

**GABEL
FORCELLA ANTERIORE
FOURCHE AVANT
FORK ASSY**

**MODELLE / MODELLOS
MODELE / MODELS:
HUSQVARNA WRS 50**

**Bild
Stam.
Feuille
Diagr.
2**



Figr.	Vers.	KODEX CODICE CODE	BEZEICHNUNG / DENOMINAZIONE / DESIGNATION / NAME		MODELL / MODELLI MODELES / MODEL	N. Rahmen N° Telaio N° Cadre Frame Nr.	Bild Stampa Fouille Diagram 5
40A		00G04401461	BUEGEL DADO	ECROU NUT	1		
41A		00G03700601	OEL-EINFEULLSTUTZEN IMBOCCO INGRESSO OLIO	ENTREE HUILE. INTAKE	1		
42A		00H03700131	SCHELLE ELAST. FASCETTA ELASTICA 8'8-9'3	BRIDE ELASTIQUE 8'8-9'3. CLAMP	1		
43A		00G03700461	ENTLUEFTUNGSSCHLAUCH TUBO RESPIRAZIONE SERBATOIO O	TUYAU RESPIRATION RESERVOIR H VENT PIPE OIL TANK	1		
44A		00H01500811	STECKMUTTER FLANGIA	COLLIER CLAMP	1		
45A		00012162000	SCHRAUBE VITE C/TONDO CROCE 6M100X20	VIS A TETE RONDE 6M100X20 SCREW	1		

Figr.	Vers.	KODEX CODICE CODE	BEZEICHNUNG / DENOMINAZIONE / DESIGNATION / NAME	MODELL / MODELLI MODELES / MODEL	N. Rahmen N° Telaio N° Cadre Frame Nr.	Bild Stampa Foglio Diagram 9
14A		00G01300831	FEDER BREMSKABEL HINTEN MOLLA CAVO FRENO POSTERIORE	RESSORT CABLE FREIN ARRIERE REAR BRAKE CABLE SPRING	1	
15A		00003111110	BUCHSE RULLO LEVA POSTERIORE	ROULEAU LEVIER ARRIERE REAR LEVER ROLLER	1	
16A		00003111120	EINSTELLUNG BREMSE GALLETTO REGOLAZIONE FRENO	PAPILLON REGLAGE FREIN ADJUSTER, REAR BRAKE	1	
17A		00G01302191	SCHEIBE RADACHSE HINTEN RONDELLA ASSE RUOTA POSTERIORE	RONDELLE AXE ROUE AR. VAM.ALE REAR WHEEL AXLE WASHER	1	
18A		00G01300271	MUTTER RADACHSE M16. D980-V DADO ASSE RUOTA POSTERIORE M16	ECROU AXE ROUE AR.M16 D980-V REAR WHEEL AXLE NUT	1	
19A		00G05800101	BEF.-PLATTE BREMSKABEL HINTEN PLACCA FISSAGGIO CAVO FRENO PO	PLAQUE FIX.CABLE FREIN ARRIER REAR BRAKE CABLE FIXING PLATE	1	

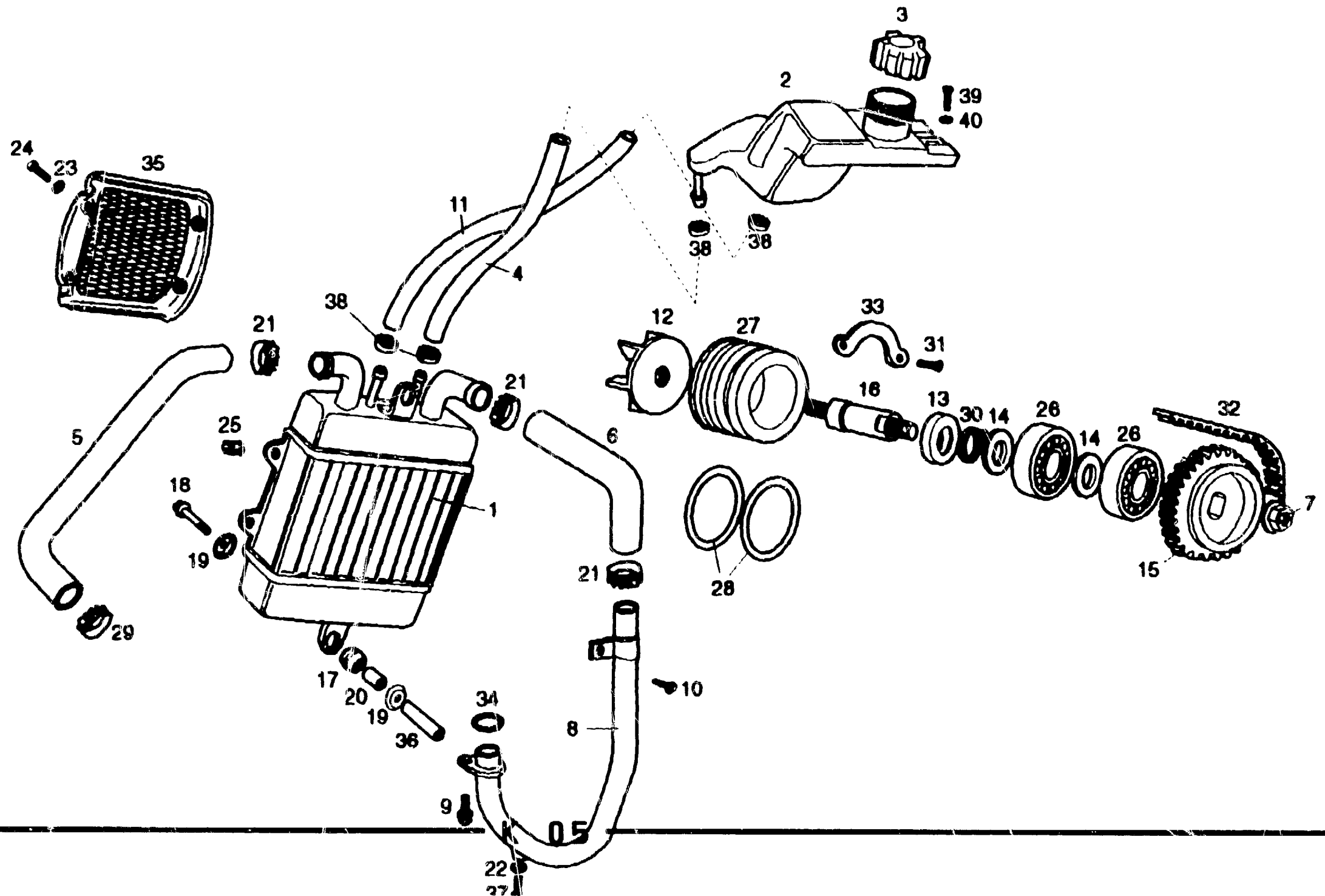
Figr.	Vers.	KODEX CODICE CODE	BEZEICHNUNG / DENOMINAZIONE / DESIGNATION / NAME	MODELL / MODELLI MODELES / MODEL	N. Motor N° Motore N° Moteur Engine Nr.	Bild Stampa Feuille Diagram 13
27A		00G04005641	ACHSE ANTRIEB SUBCOMPLESSO ASSE RUOTA POSTE.	SOUS-ENS.AXE ROUE REDUCTEUR REDUCTION GEAR SHAFT SUB-ASSY	1	
28A		00G02401381	DICHTRING HINTERRADACHSE ANELLO TENUTA ASSE RUOTA POSTE	JOINT D'ARBRE ROUE ARRIE.VAMO REAR SHAFT SEAL	1	
29A		00058020401	KUGELLAGER 20X47X142RSR CUSCINETTO 6204 20X47X14 2RSR	COUSSINET S204 20X47X14 2RSR BEARING 20X47X14 2RSR	1	
30A		00G02801901	LAGER F. ACHSE REDUZIERSCHEIBE PRECOMPLESSO CUSCINETTO ASSE P	PLOMB.COUSSINET AXE POULIE RE REDUCER PULLEY SHAFT BEARING	1	
31A		00000013616	SENKSCHRAUBE 6M100X16 VITE INCASSATA A BRUGOLA NERA	VIS T.FRAIS.CREU.6M100X16 N.D COUNTERSUNK ALLEN SCREW 6M100	1	
32A		00006128280	SHEIBE RONDELLA CUSCINETTO DESTRO	RONDELLE WASHER	1	
33A		00G04003281	ZWISCHENWELLE HUNTER SUBCOMPLESSO ALBERO INTERMEDI	SOUS-E.AXE INTERM.REDUCTEUR H INTERMEDIATE REDUCTION SHAFT	1	
34A		00057020100	KUGELLAGER 12X32X10. C3 CUSCINETTO 6201 12X32X10 C3	COUSSINET 6201.C3.12X32X10 C3 BEARING 6201.C3.12X32X10	1	
35A		00G02802291	SCHEIBENACHSE HUNTER SUBCOMPLESSO ASSE PULEGGE HUNT	SOUS-ENSEMBLE AXE POULIES HUN PULLEY SHAFT SUB-ASSY	1	
36A		00057020400	KUGELLAGER 20X47X14 C3 CUSCINETTO 6204 C3 20X47X14	COUSSINET 6204C3 20X47X14 BEARING, CRANK 6204C3 20X47X1	1	
37A		00G02802471	KLINKE SCHEIBENACHSE HUNTER ANELLO TENUTA ASSE PULEGGIA HU	JOINT D'ARBRE POULIES HUNTER PULLEY SHAFT SEAL	1	
38A		00G02900651	RITZEL SUBCOMPLESSO PIGNONE SPOSTAME	SOUS-ENS.PIGNON DEPLAC.DEMAR. STARTER SLIDER PINION SUB-ASS	1	
39A		00G02901281	ARRETIERFEDER ANLASSER MOLLA TENUTA AVVIAMENTO VAMOS-	RESSORT RETENTION DEMAR. VAMO STARTER RETAINING SPRING	1	

Husqvarna

**KÜLUNG
SISTEMA DI REFRIGERAZIONE
SYSTEME DE REFRIGERISSEMENT
REFRIGERATION SYSTEM**

**MODELLE / MODELLOS
MODELE / MODELS:
HUSQVARNA WRS 50**

**Bild
Stam.
Feuille
Diagr.
17**



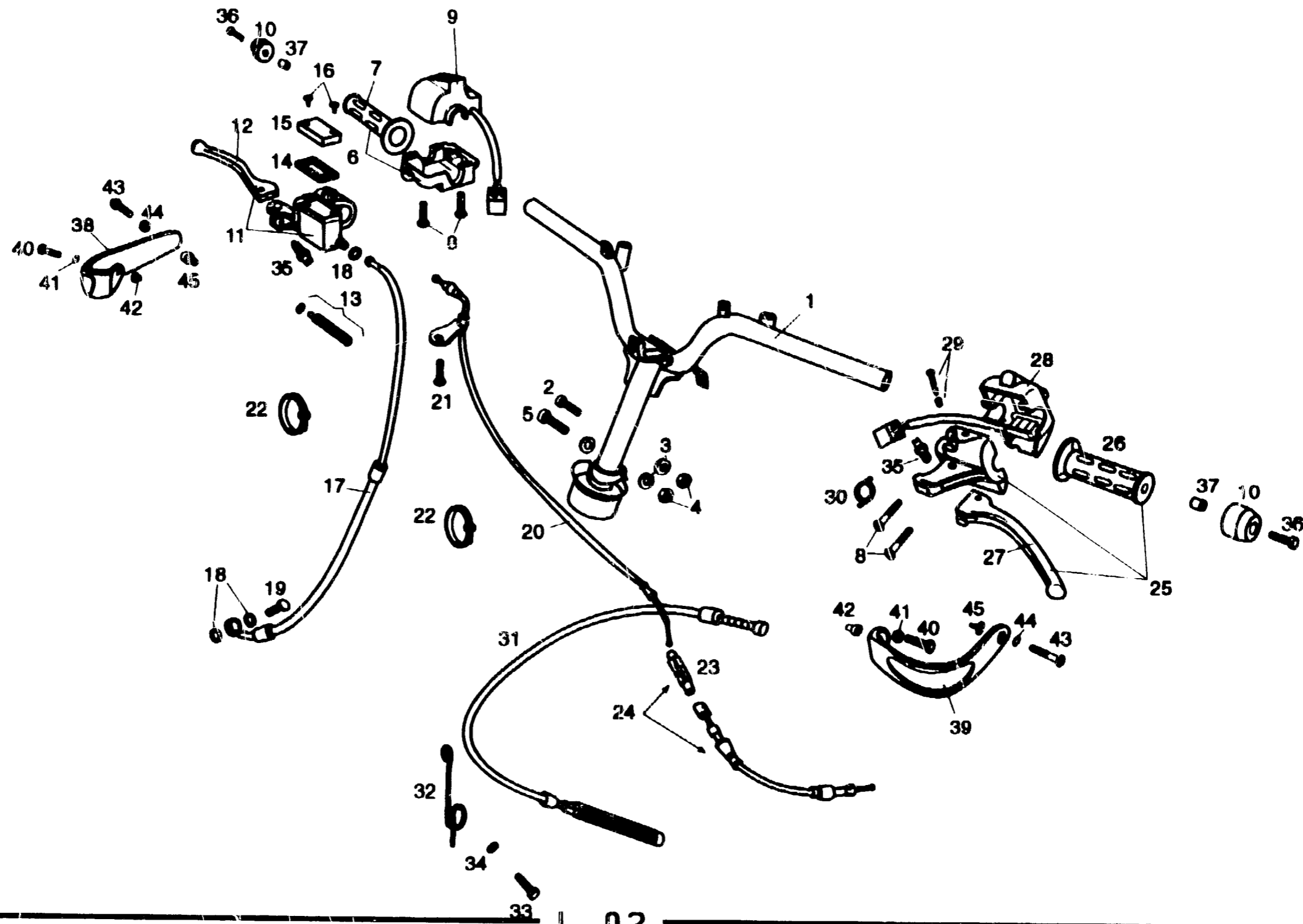
Figr.	Vers.	KODEX CODICE CODE	BEZEICHNUNG / DENOMINAZIONE / DESIGNATION / NAME	MODELL / MODELLI MODELES / MODEL	N. Rahmen N° Telaio N° Cadre Frame Nr.	Std Stampa Foglio Diagram 2
01A		00G00204002	GABEL KOMPL. HUNTER COMPLESSO FORCELLA DIRETTRICE	ENS. FOURCHE DIRECTRICE HUNTER FRONT FORK ASSY	1	
02A		00G00200111	BEF.-MUTTER DADO FISSAZIONE FUSTO	ECROU FIXATION TIGE CAP NUT, FORK STEM	1	
03A		00G00201081	STELLMUTTER LENKUNG HUNTER DADO REGOLAZIONE STERZO HUNTER	CUVETTE DE REGLAGE DIRECTION STEERING ADJUSTER RACE	1	
04A		00000061040	KUGEL D.4,76. PALLA D.4,76	BILLE DIAMETRE 4,76. BALL, D.4,76	1	
05A		00H00200061	KONUS F. LENKUNG SENDA SCODELLINO STERZO GUIDA ESTERN	CUVETTE DIRECT.GUIDE EXTER. S OUTER STEM BEARING RACE	1	
06A		00E02000651	LAGERSCHALE UNTEN F. LENKUNG SCODELLINO DIR. INF. SUP. SCOOT.	CUVETTE DIRECT. INF. SUP. SCOOT LOWER/UPPER BALL BEARING RACE	1	
07A		00000061080	KUGEL D.8. PALLA D.8.	BILLE DIAMETRE 8 BALL, D.8	1	
08A		00E02000661	LAGERSCHALE UNTEN F. LENKUNG SCODELL. DIREZ. INF. INF. SCOOTER	CUVETTE DIRECT. INF. INF. SCOOTER LOWER INNER STEM BEARING RACE	1	
09A		00G00200071	LAGERSCHALENSCHUTZ GABEL HUNTE PROTEZIONE SCODELLINI FORCELLA	PROTECTEUR CUVETTE FOURCHE HU FORK RACE PROTECTOR	1	
10A		00G00203012	SATTELSTANGE-PLATTE SUBCOMPLESSO CANNELLO FLANGIA	SOUS-ENS. TIGE PLATINE LOWER TRIPLE CLAMP, W/PIN ASS	1	
11A		00G02001621	A-TELLER F. GABELFEDER PUNTA FORCELLA	BUTEE FOURCHE RUBBER	1	
12A		00G00203171	GABELBEINFEDER PADDOCK R- MOLLA FORCELLA PADDOCK	R-RESSORT FOURCHE PADDOCK FORK SPRING	1	
13A		00G02000951	SCHEIBE RONDELLA	RONDELLE WASHER	1	

Husqvarna

**LENKER UND HABEL
MANUBRIO E COMANDI
GUIDON ET COMMANDES
HANDLEVAR AND CONTROLS**

**MODELLE / MODELLOS
MODELE / MODELS:
HUSQVARNA WRS 50**

**Bld
Stam.
Feuille
Nagr.
6**

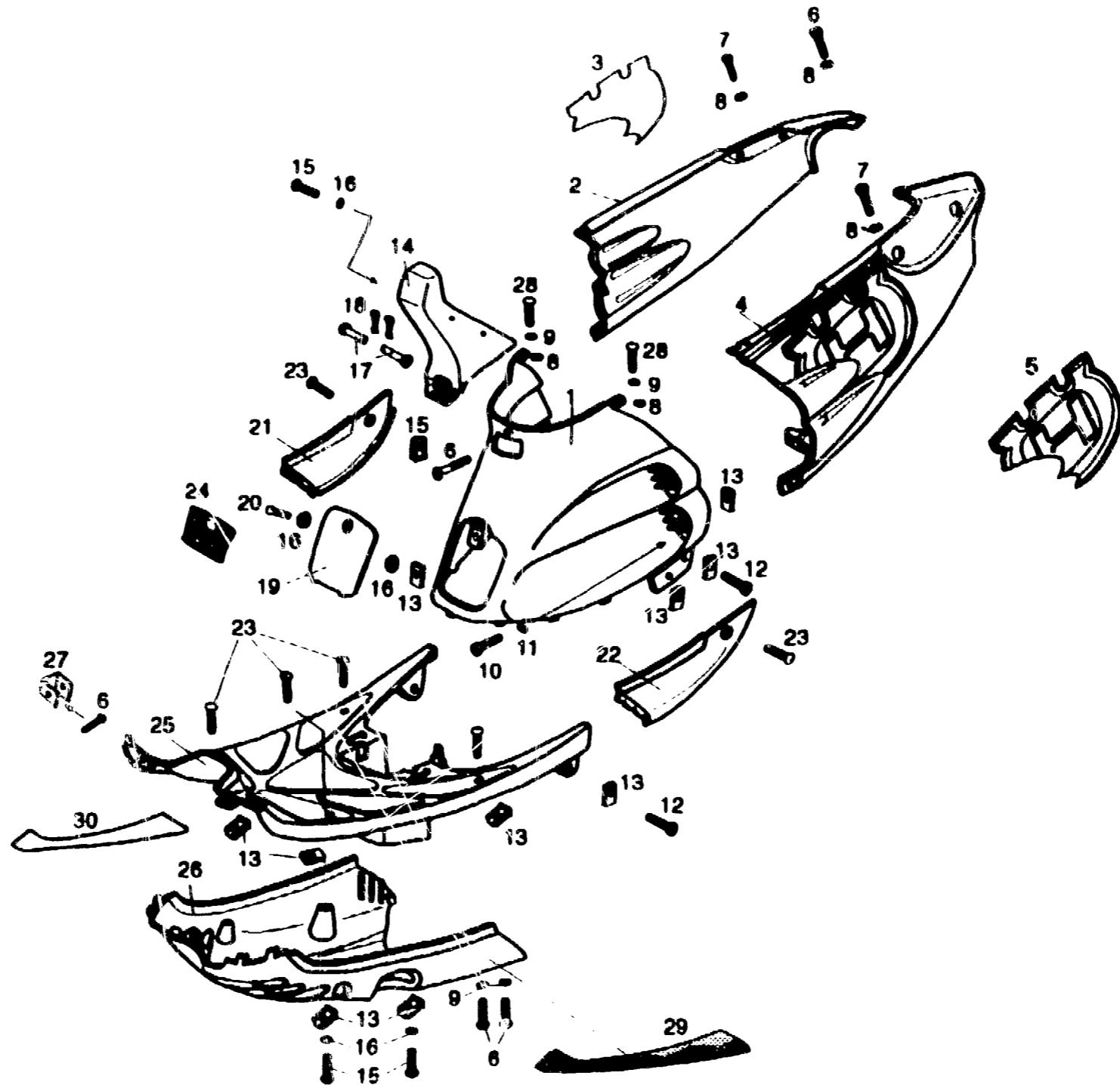


HUSQVARNA

**VERKLEIDUNGSTEILE
MONTAGGIO TELAIO
MONTAGE CHASSIS
FRAME ASSEMBLY**

**MODELLE / MODELLOS
MODELE / MODELS:
HUSQVARNA WRS 50**

**Bld
Stam.
Feuille
Diagr.
10**



Figr.	Vers.	KODEX CODICE CODE	BEZEICHNUNG / DENOMINAZIONE / DESIGNATION / NAME	MODELL / MODELLI MODELES / MODEL	N. Motor N°. Motore N°. Moteur Engine Nr.	Stampa Foglio Diagram 13
40A		00F02900051	SICHERUNGSSCHEIBE ANLASSERFEDE ROND.RITEN.MOLLA AVVIO URBAN	RONDELLE D'ARRET RESSORT DEMA STARTER SPRING RETAINING WASH	1	
41A		00G02903011	ANLASSERACHSE HUNTER SUBCOMPLESSO ASSE AVVIAMENTO H	SOUS-ENS. AXE DEMARRAGE HUNTE STARTER SHAFT SUB-ASSY	1	
42A		00F02900711	O-RING ANLASSERACHSE ANELLO DI TENUTA TORICO ASSE	JOINT TORIQUE AXE DEMARREUR U STARTER SHAFT O-RING	1	
43A		00G02900051	HUELSE GHIERA FERMO SETTORE AVVIAMENT	DOUILLE BUTEE SECT.DEMARRAGE STARTER MECHANISM STOP BUSH	1	
44A		00G02901041	FEDER F. ANLASSER VAMOS-K MOLLA ALBERO AVVIAMENTO VAMOS-	RESSORT DEMARRAGE VAMOS-K STARTER RETURN SPRING	1	
45A		00302900661	STELLSCHEIBE ANLASSERACHSE VAM RONDELLA REGOLAZIONE ASSE AVVI	RONDELLE REGLAGE AXE DEMAR. V STARTER SHAFT SHIM WASHER	1	
46A		00000047114	SICHERUNGSRING D14.DIN-471 ANELLO SICUREZZA ASSI D.14 DIN	ANNEAU DE SURETE AXES D14.DIN CIRCLIP D14	1	
47A		00004061600	INBUSSCHRAUBE 6M100X16.D-912/8 VITE T/BRUGO.6M100X16.D912.8.8	VIS T.CREUSE 6M100X16.D-912/8 ALLEN SCREW M6X16	1	
48A		00000033060	FEDERRING D.6.DIN-127-B RONDELLA MOLLA D.6.D-127-B.	RONDELLE A RESSORT D6 D-127-B SPRING WASHER D6	1	
49A		00G02902421	ANLASSERHEBEL HUNTER R-COMPLESSO LEVA AVVIAMENTO HU	R-ENS. LEVIER DE DEMARRAGE HU KICK START LEVER ASSY	1	
50A		00G02900171	SCHUTZPLATTE ANLASSER COMPLESSO PIASTRA PROTETTRI	ENS.PLAQUE PROT.DEMARRAGE STARTER COVER PLATE AND BUSH	1	
51A		00H06300281	BEF.-HUELSE GHIERA FISS.PROTETT.INTER.ROTA	DOUILLE DE SERRAGE PROT.INTER ROTATION SWITCH PROTECTOR SEC	1	
52A		00004161200	INBUSSCHRAUBE 6M100X12 VITE TESTA	VIS.T.CREUSE 6M100X12 ALLEN SCREW 6M100X12	1	

Figr.	Vers.	KODEX CODICE CODE	BEZEICHNUNG / DENOMINAZIONE / DESIGNATION / NAME	MODELL / MODELLI MODELES / MODEL	N. Motor N° Motore N° Moteur Engine Nr.	NMI Stampa Foglio Diagram 17
01A		00G03800011	KUEHLER SUBCOMPLESSO RADIATORE	RADIATEUR RADIATOR ASSY	1	
02A		00G03800501	WASSERBEHALTER SERBATOIO ACQUA RADIATORE	VASE D'EXPANSTON WATER TANK	1	
03A		00H03800471	KUEHLERDECKEL COMPLESSO TAPPO RADIATORE GPR-	BOUCHON DE RESERVOIR D. EAU WATER TANK CAP	1	
04A		00G03800601	ENTLUEFTUNGSSCHLAUCH TUBO	TUYAU TUBE	1	
05A		00G03800021	ENTLUEFTUNGSSCHLAUCH TUBO	TUYAU TUBE	1	
06A		00G03800031	ENTLUEFTUNGSSCHLAUCH TUBO	TUYAU TUBE	1	
07A		00026006002	SECHSKANTMUTTER MIT FLANSCH 6M DADO ESTERNO TESTA FLANGIA 6M1	ECROU HEX. A/BRIDE 6M100.D6923 HEX NUT WITH FLANGE	1	
08A		00G03800661	ENTLUEFTUNGSSCHLAUCH TUBO	TUYAU TUBE	1	
09A		00G03600991	BEF. -SCHRAUBE TURBINE HUNTER () VITE FISSAGGIO VENTOLA HUNTER	BOULON SERRAGE TURBINE H. (6X1 BLOWER SECURING SCREW	1	
10A		00H02900761	SCHRAUBE VITE	VIS SCREW	1	
11A		00G03800561	ENTLUEFTUNGSSCHLAUCH TUBO	TUYAU TUBE	1	
12A		00G03800151	LAUFER F. WASSERPUMPE ROCCHETTO POMPA ACQUA 80CC	CHIGNON POMPE D. EAU WATER PUMP ROLLER	1	
13A		00G03801211	DICHTRING GIUNTO TENUTA POMPA ACQUA 10X2	BUTEE POMPE A EAU (UNITE/ SEAL, WATER PUMP	1	

Figr.	Vers.	KODEX CODICE CODE	BEZEICHNUNG / DENOMINAZIONE / DESIGNATION / NAME	MODELL / MODELLI MODELES / MODEL	N. Rahmen N° Telaio N° Cadre Frame Nr.	BMW Stampa Foglio Diagram 2
14A		00G02001871	LENKSTANGE RE. R- COMPLESSO ASTA DESTRA	R-ENSEMBLE BARRE DROITE RIGHT FORK BAR ASSY	1	
15A		00G02001831	GABELKAPPE BASE DESTRA FORCELLA	SUPP. JAMBRE DE FOURCHE DROITE RIGHT FORK CAP	1	
16A		00000004635	INBUSSCHRAUBE 6M100X35.D-912/8 VITE TESTA ALLEN 6M100X35.DIN-	VIS TETE CREUSE 6M100X35 D912 ALLEN SCREW 6M100X3	1	
17A		00000004820	INBUSSCHRAUBE 8M125X20 VITE TESTA ALLEN 8M125X20.D-	VIS TETE ALLEN 8M125X20 HEX. SOCKET-HEAD SCREW 8M125X2	1	
18A		00037000800	SICHERUNGSSCHEIBE D.8. RONDELLA CONICA SICUREZZA .D8.	RONDELLE WASHER	1	
19A		00000023060	MUTTER DADO AUTOBLOCCANTE 6M100.D-985	ECROU INDESSERRABLE 6M100.DIN SELF-LOCKING NUT M6	1	
20A		00G00201441	STICHLATT AM DEGEN SCODELLINO	CUVETTE RACE	1	
21A		00G02000811	SILENTBLOCK SILENTBLOCK	SILENTBLOC SILENTBLOC	1	
22A		00G02002621	A-TELLER F.GABELFEDER PUNTA FORCELLA	BUTEE FOURCHE RUBBER	1	
23A		00G02000971	SCHEIBE RONDELLA	RONDELLE WASHER	1	
24A		00G02001941	LENKSTANGE LI. PADDOCK KPL. R- COMPLESSO ASTA SINISTRA PAD	R-ENSEMBLE BARRE GAUCHE PADDO LEFT FORK BAR ASSY	1	
25A		00G02001821	GABELKAPPE BASE SINISTRA FORCELLA	SUPP. JAMBRE DE FOURCHE GAUCHE LEFT FORK CAP	1	
26A		00003125280	SCHEIBE ZYLINDERKOPF RONDELLA FISSAGGIO TESTATA	RONDELLE DE FIXATION DE LA CU SECURING WASHER, CYLINDER HEA	1	

Figr.	Vers.	KODEX CODICE CODE	BEZEICHNUNG / DENOMINAZIONE / DESIGNATION / NAME	MODELL / MODELLI MODELES / MODEL	N. Rahmen N° Telaio N° Cadre Frame Nr.	3rd Stamp Feuille Diagram 6
01A		00G00902011	LENKER HUNTER SUBCOMPLESSO MANUBRIO HUNTER	SOUS-ENSEMBLE GUIDON HUNTER HANDLEBAR ASSY	1	
02A		00000004840	INBUSSCHRAUBE 8M125X40.D-912.8 VITE TESTA ALLEN 8M125X40.DIN-	VIS T. CREUSE 8M125X40.D912/8 ALLEN SCREW 8M125X40 D.912/8.	1	
03A		00000031080	SCHEIBE D.8. DIN125 RONDELLA PIATTA MECCANIZZATAZA	ROND.PLATE MECANISEE D.8.DIN1 MACHINED FLAT WASHER D8 DIN-1	1	
04A		00000023080	MUTTER SELBSTS 8M125. DIN-982 DADO AUTOBLOCCANTE 8M 125.DIN-	ECROU INDESSERRABLE 8M125.DIN SELF-LOCKING NUT M8	1	
05A		00000004845	INBUSSCHRAUBE 8M125X45.D-9128. VITE T/BRUGOLA 8M125X45 D-912.	VIS T.CREUSE 8M125X45.D912/8. ALLEN SCREW M8X45	1	
06A		00G00904081	GASGRIFF KOMPL. HUNTER COMPLESSO MANOPOLA ACCELERATOR	ENSEMBLE POIGNEE GAZ HUNTER THROTTLE TWIST GRIP	1	
07A		00G00904091	GRIFFGUMMI RECHTS HUNTER R-MANOPOLA ACCELERATORE HUNTER	R-POIGNEE GAZ HUNTER THROTTLE TWIST GRIP ASSY	1	
08A		00F00901151	SCHRAUBE R-VITE FISS.TAPPO.MANOP.ACCELL	VIS SCREW	1	
09A		00G02302171	LICHTUMSCHALTER COMPLESSO COMMUTARORE LUCI HU	ENS.COMMUTATEUR D'ECLAIRAGE H HEADLAMP DIP SWITCH	1	
10A		00G02102921	GEGENGEWICHT DES LENKERS CONTRAPPESO MANOPOLA	CONTRE POIDS DE GUIDON COUNTERWEIGHT, HANDLEBAR	1	
11A		00G02102081	BREMSPUMPE SENDA R-COMPLESSO COMANDO FRENO ANTE	R-ENS.COMMANDE FREIN AV.SENDA FRONT BRAKE LEVER/CYLINDER AS	1	
12A		00G00901201	BREMSHEBEL LEVA FRENO ANTERIORE	MANETTE DU FREIN AVANT FRONT BRAKE LEVER	1	
13A		00H02101811	REP.-SATZ F. PUMPE R-COMPLESSO KIT RIPARAZIONE .P	R-ENSEM.KIT REPAR. POMPE SEND FRONT BRAKE MASTER CYLINDER R	1	

Figr.	Verz.	KODEX CODICE CODE	BEZEICHNUNG / DENOMINAZIONE / DESIGNATION / NAME	MODELL / MODELLI MODELES / MODEL	N. Rahmen N° Telaio N° Cadre Frame Nr.	Stm Stampa Feuille Diagram 10
01A		00G05904831	SITZVERKLEIDUNG VORNE HUNTER CORPO INFERIORE SELLA HUNTER	CORPS INFERIEUR SELLE HUNTER LOWER SADDLE BASE	1	
02A		00G04931091	DECKEL RECHTS R-SUBCOMPLESSO COPERCHIO LAT.	R-SOUS-ENS. COUV. LAT. DR. RIGHT SIDE COVER SUBASSY	1	
03A		00G01816931	SCHRIFTZUG ADESIVO	ADHESIF DECAL	1	
04A		00G04910101	DECKEL LINKS R-SUBCOMPLESSO COPERCHIO LAT.	R-SOUS-ENS. COUV. LAT. GAUCHE LEFT SIDE COVER SUBASSY	1	
05A		00G01817951	ABZIEHBILD ADESIVO SINISTRO LATERALE CODI	ADHESIF GAUCHE LAT. COLIN SADDLE TAIL TRANSFER LEFT SID	1	
06A		00011031401	GEWINDESCHNEIDSCHRAUBE 3,6X14 VITE AUTOFILETTANTE 3,6X14 NER	VIS TARAUD 3,6X14 NOIR CL89H SELF-TAPPING SCREW	1	
07A		00011051801	GEWINDESCHNEIDSCHRAUBE 5,1X18 VITE AUTOFILETTANTE 5,1X18 NER	VIS TARAUD 5,1X18 NOIR CL89H SELF-TAPPING SCREW	1	
08A		00003515370	SCHEIBE KETTENSCHUTZ RONDELLA FISSAGGIO COPRICATENA	RONDELLE FIXATION COUVRE-CHAI CHAIN COVER SECURING WASHER	1	
09A		00D02600631	SCHEIBE RONDELLA FERMO MOLLA FRIZIONE	ROND. BUTEE RESSORT EMBRAYA. 4- CLUTCH SPRING STOP WASHER	1	
10A		00000004620	INBUSSCHRAUBE 6M100X20. VITE TESTA ALLEN 6M100X20.D-91	VIS T. CREUSE 6M100X20.D-912/8 ALLEN SCREW M6X20	1	
11A		00000033060	FEDERRING D.6.DIN-127-B RONDELLA MOLLA D.6.D-127-B.	RONDELLE A RESSORT D6 D. 127-B SPRING WASHER D6	1	
12A		00G01503701	BEF.-SCHRAUBE F. FRONTSCHILD H VITE FISSAGGIO CARENATURA FRON	BOULON SER. FRONTAL HUNTER FRONT SHIELD SECURING SCREW	1	
13A		00D01501371	SICHERUNGSMUTTER BEF. KETTENSCH DADO FISSAGGIO COPRICATENA .21	ECROU FIX. GARDE-CHAINE 21309 NUT	1	

Flgr.	Vers.	KODEX CODICE CODE	BEZEICHNUNG / DENOMINAZIONE / DESIGNATION / NAME	MODELL / MODELLI MODELES / MODEL	N. Motor N° Motore N° Moteur Engine Nr.	See Stamp Fault Diagram 13
53A		00G06401121	LUFTFILTERSCHAUM FILTRO	1		

Figr.	Vara.	KODEX CODICE CODE	BEZEICHNUNG / DENOMINAZIONE / DESIGNATION / NAME	MODELL / MODELLI MODELES / MODEL	N. Motor N° Motore N° Moteur Engine Nr.	Stamps Feuille Diagram 17
14A		00H05000281	SCHEIBE RONDELLA FERMO PIGNONE INTERME	RONDELLE DE BUTEE THRUST PLATE	1	
15A		00G03800761	ANTRIEBSRITZEL PIGNONI	PIGNONS GEAR	1	
16A		00G03800161	WASSERPUMPENACHSE ASSE POMPA ACQUA	AXE POMPE D. AEU WATER-PUMP SHAFT	1	
17A		00008915020	GUMMI PROTEZIONE CAVI	PASSE-CABLE RUBBER, CABLE PROTECTOR	1	
18A		00G03800871	SCHRAUBE VITE	VIS SCREW,	1	
19A		00D01500551	ABDECKSCHEIBE SCODELINO FISSAGGIO SILENZIATO	CUVETTE HOUSING EXHAUST PIPE SUPPORT	1	
20A		00D01500471	BUCHSE GHIERA SILENZIATORE CX-6	ENTRETOISE BUSHING, SILENTBLOCK	1	
21A		00G03801091	BEF.-SCHELLE FASCETTA FISSAGGIO MANICA RADI	COLLIER CLAMP FASTERING RADIATOR BUSH	1	
22A		00H03800441	SCHEIBE RONDELLA VITE SVUOTAMENTO ACQU	RONDELLE WASHER	1	
23A		00000031050	SCHEIBE D.5. DIN125 RONDELLA PIATTA MECCANIZZATA	ROND. PLATE MECANISEE D.5.DIN1 MACHINED FLAT WASHER D5	1	
24A		00012151500	SCHRAUBE 5M80X16. VITE T/TON.CROCE 5M80X16.D7985	VIS A TETE RONDE A FENTES CRO SCREW	1	
25A		00G04401461	BUEGEL DADO	ECROU NUT	1	
26A		00058000000	LAGER 6000 2RS.C3.10.26.8 CUSCINETTO 6000 2RS C3 10.26.8	ROULEMENT A BILLES BEARING	1	

Figr.	Vers.	KODEX CODICE CODE	BEZEICHNUNG / DENOMINAZIONE / DESIGNATION / NAME	MODELL / MODELLI MODELES / MODEL	N. Rahmen N° Telaio N° Cadre Frame Nr.	Bild Stampa Feuille Diagram 2
27A		00G00202231	S'TAUBSCHUTZ F. GABEL HUNTER PARAPOLVERE FORCELLA HUNTER	CACHE-POUSSIÈRE FOURCHE HUNTE FORK DUST GUARD	1	
28A		00G04601172	GABELCHUTZ PROTEGE SUPP. JAMBRE DE FOURCHE	PROTTETTORE BASE SINISTRA FORC. LEFT FORK CAP PROTECTOR	1	
29A		00G04601182	GABELCHUTZ PROTEGE SUPP. JAMBRE DE FOURCHE	PROTTETTORE BASE DESTRA FORC. RIGHT FORK CAP PROTECTOR	1	
30A		00008061000	SCHRAUBE BOULON 6M100X10	VITE T/TON. BRUGO 6M100X10 SCREW 6M100X10	1	

Figr.	Vers.	KODEX CODICE CODE	BEZEICHNUNG / DENOMINAZIONE / DESIGNATION / NAME	MODELL / MODELLI MODELES / MODEL	N. Rahmen N° Telaio N° Cadre Frame Nr.	BH Stampa Feuille Diagram 6
14A		00H02100861	BREMSDECKELDICHUNG R-GUARNIZIONE COPERCHIO SERPAT	R-JOINT COUV.RES.LIQ.FR.AV.SE FRONT BRAKE FLUID RESERVOIR C	1	
15A		00H02100191	BREMSFLUESSIGKEITSBEHAELTER R-COPERCHIO SERBATOIO .LIQUIDO	R-COUV.RESER.LIQ.FREIN AVANT FRONT BRAKE FLUID RESERVOIR C	1	
16A		00014041200	SCHRAUBE 4M80X12.D-965 VITE TESTA SVASATA CROCE NERO	BOULON T.NOYEE CR.N.4M80X12.D COUNTERSUNK PHILIPS SCREW (BL	1	
17A		00G00902751	BREMSSCHLAUCH HUNTER R-COMPLESSO TUBO LIQUIDO FRENI	R-ENS.TUYAU LIQ.FREINS AVANT FRONT BRAKE FLUID TUBE ASSY	1	
18A		00006321040	DICHTRING RONDELLA GUARNIZIONE RACCORDO	RONDELLE DE JOINT RACCORD CONNECTOR GASKET WASHER	1	
19A		00006309260	STUTZEN HYDRAULIKLEITUNG RACCORDO TUBO IDRAULICO	RACCORD TUYAU HYDRAULIQUE HYDRAULIC TUBE CONNECTOR	1	
20A		00G00902171	GASZUG HUNTER COMPLESSO CAVO FODERO ACCELERA	ENSEMBLE CABLE GAINÉ GAZ HUNT THROTTLE CABLE/SLEEVE ASSY	1	
21A		00012051200	SCHRAUBE 5M80X12 NG.D-7985 VITE T/CROCE 5M80X12 NERA D-79	VIS T. RONDE CROIX 5M80X12.N.D ROUNDHEAD PHILIPS SCREW	1	
22A		00F00900531	KABELBINDER FLANGIA NERA UNIONE CAVI SCO.B	BRIDE N.CONNEX.-CABLES S-EN.B BLACK CABLE TIE	1	
23A		00G00900861	GASZUGVERTEILER CASSA COLLEGAMENTO CAVI BENZIN	BOITE DE CONNEXION CABLES GAZ THROTTLE CABLE CONNECTOR BOX	1	
24A		00G00905891	GASZUG HUNTER UBCOMPLESSO CAVO-FODERO POSTER	SOUS-ENS. CABLE-GAINÉ AR.GAZ REAR THROTTLE CABLE/SLEEVE SU	1	
25A		00G02104611	BREMSHEBEL LINKS KOMPLETT HUNT COMPLESSO PORTAMANOPOLA SINIST	ENS. PORTE-MANETTE GAUCHE HUN LEFT LEVER BRACKET	1	
26A		00G00904071	GRIFFGUMMI LINKS HUNTER MANOPOLA FRENO POSTERIORE HUNT	POIGNEE FREIN ARRIERE HUNTER REAR BRAKE LEVER GRIP	1	

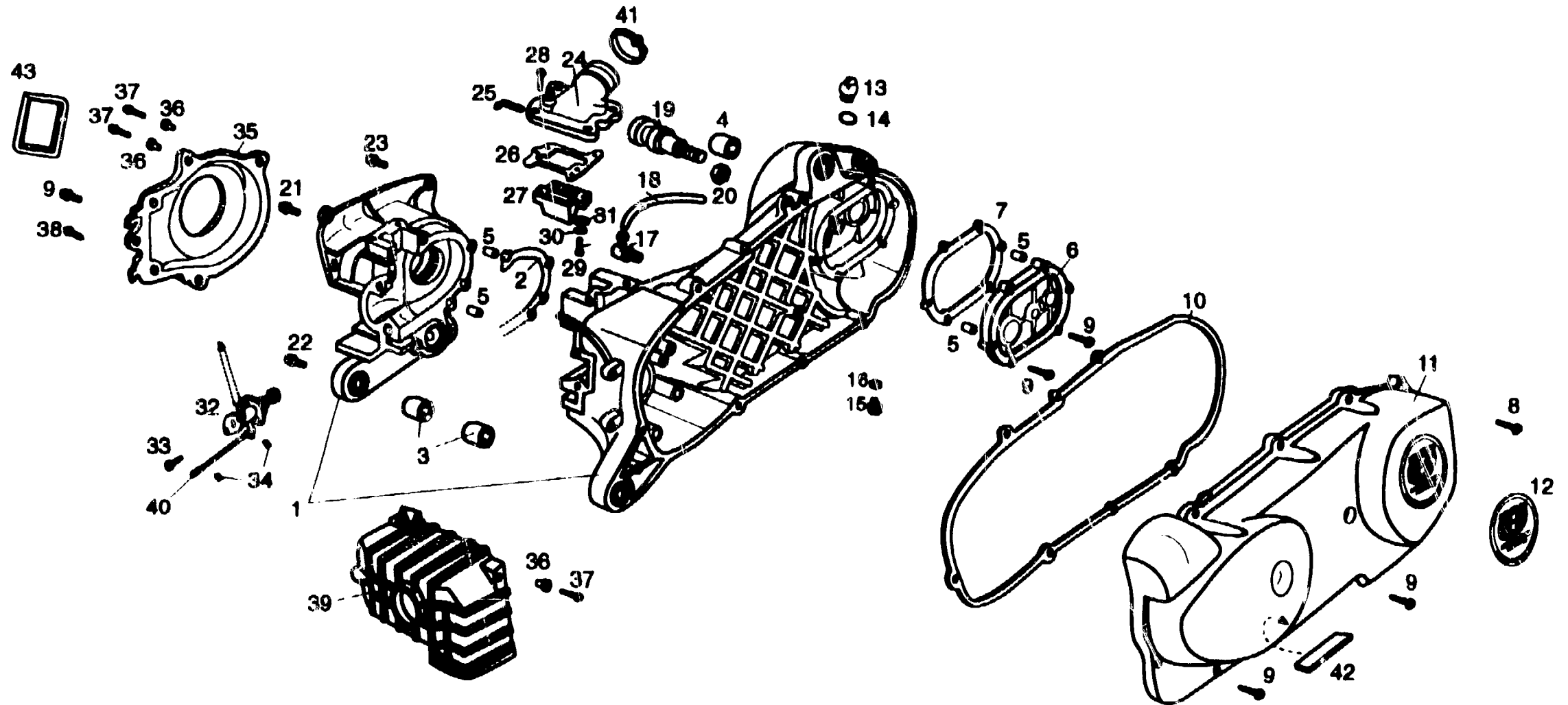
Figr.	Vers.	KODEX CODICE CODE	BEZEICHNUNG / DENOMINAZIONE / DESIGNATION / NAME	MODELL / MODELLI MODELES / MODEL	N. Rahmen N° Telaio N° Cadre Frame Nr.	Bild Stampa Feuille Diagram 10
14A		00G05903941	ABDECKUNG SITZ HUNTER COPERCHIO SNODO SELLA HUNTER	PLAQUE FER. ARTICUL. SELLE HUN HINGED SADDLE COVER	1	
15A		00004061600	INBUSSCHRAUBE 6M100X16.D-912/8 VITE T/BRUGO.6M100X16.D912.8.8	VIS T.CREUSE 6M100X16.D-912/8 ALLEN SCREW M6X16	1	
16A		00D01200171	SCHEIBE RONDELLA ASSE LEVA FISSAGGIO C	ROND.AXE CAME FIX.COUVPE-CHAI WASHER	1	
17A		00054003001	STIFT D.6X30X27,5 DIN-1436 PERNIO D.6X30X27,5 DIN-1436	BOULON D.6X30X27,5DIN-1435 PIN	1	
18A		00G04900321	FEDER BEF. FUSS-STUTZE MOLLA FISSAGGIO PREDELLINO PAS	RES.FIX.MARCHEPIED PASSAGER V PILLION FOOTREST SECURING SPR	1	
19A		00G05901891	DECKEL MOTOR HUNTER COPERCHIO REGISTRO MOTORE HUNT	PLAQUE FER.REGISTRE MOTEUR HU ENGINE INSPECTION COVER	1	
20A		00012161600	SCHRAUBE 6M100X16 D-7985 VITE TESTA CROCE NERA 6M100X1	VIS T.CROIX NOIR 6M100X16 D-7 PHILIPS SCREW	1	
21A		00G01503874	SEITENVERKLEIDUNG RECHTS HUNTE COPERCHIO PORTASTAFFA DESTRA H	PLAQUE FER. MARCHEPIED DROIT RIGHT FOOTBOARD COVER	1	
22A		00G01512882	SEITENVERKLEIDUNG LINKS COPERCHIO PORTASTAFFA SINISTRA	PLAQUE FER. MARCHEPIED GAUCHE LEFT FOOTBOARD COVER	1	
23A		00H01501701	BEF.-SCHRAUBE VORDERE DECKEL VITE FISSAGGIO COPERCHI ANTERIO	BOULON SERRAGE COUVERCLE ARRI FRONT COVER SECURING SCREW	1	
24A		00G04623141	SCHRIFTZUG GELB/SILBER ADESIVO	ADHESIF PRESSION PNEUS DECAL	1	
25A		00G01501091	FUSS-STUETZE APPOGGIAPIEDI HUNTER	REPOSE-PIED HUNTER FOOTREST	1	
26A		00G04602081	RAHMENSCHUTZ U PROTETTORE INFERIORE TELAIO	PROTECTEUR INFERIEUR CHASSIS LOWER PROTECTOR	1	

Husqvarna

**MOTERGEHÄUSE
CARTERS
CARTERS
CRANCKASE**

**MODELLE / MODELLOS
MODELE / MODELS:
HUSQVARNA WRS 50**

**Bild
Stam.
Feuille
Degr.
14**



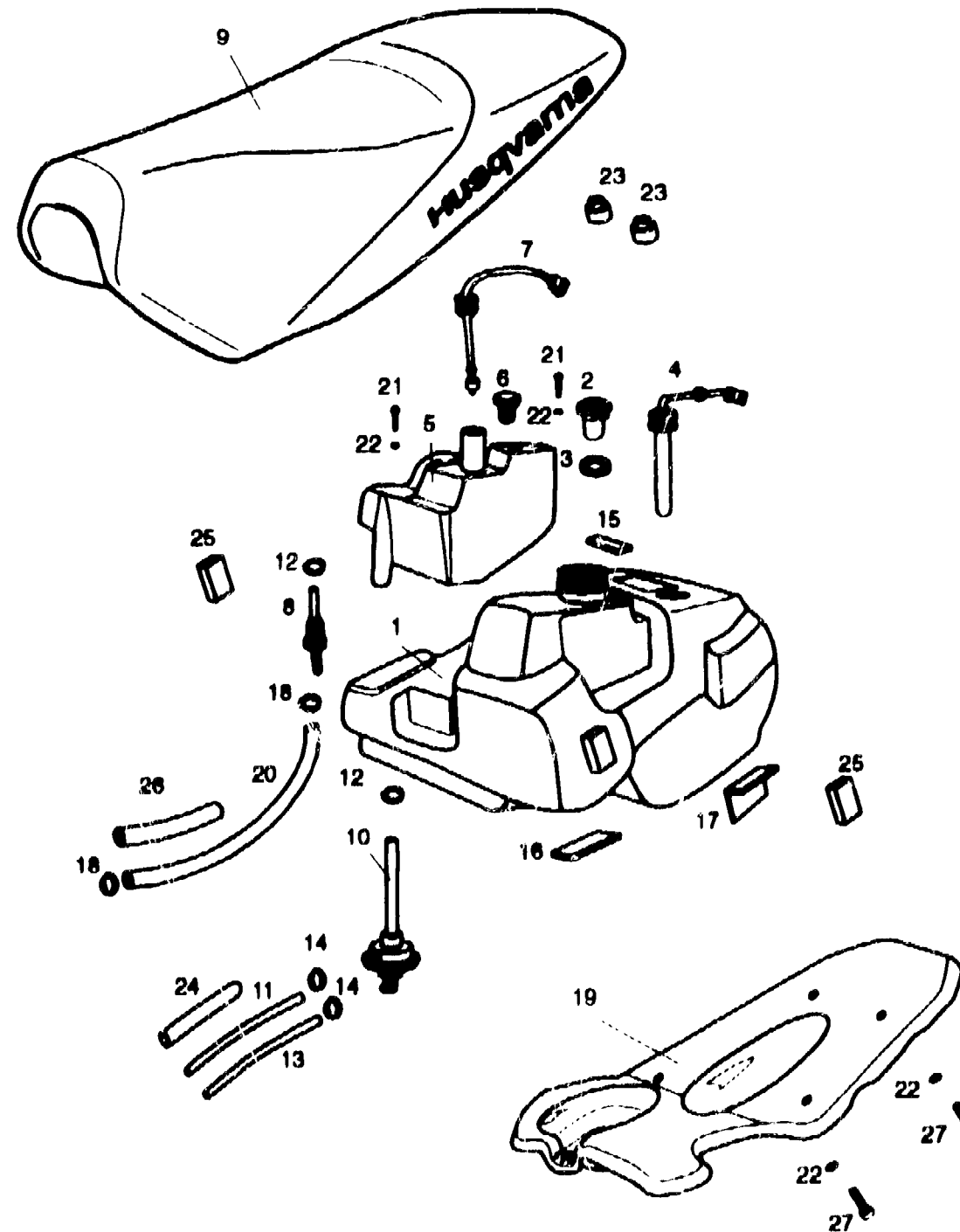
Figr.	Vers.	KODEX CODICE CODE	BEZEICHNUNG / DENOMINAZIONE / DESIGNATION / NAME	MODELL / MODELLI MODELES / MODEL	N. Motor N°. Motore N°. Moteur Engine Nr.	BW Stampa Fouille Diagram 17
27A		00G03800791	HALTER SOSTEGNO	SUPPORT SUPPORT	1	
28A		00G03800841	SEEGERRING ANELLO	CIRCLIP CIRCLIP	1	
29A		00H03800751	BEF.-SCHELLE FASCETTA FISSAGGIO MANICA A CI	COLLIER CLAPM FASTENING CASING TO SYL	1	
30A		00C00047110	SEEGERRING ANELLO SICUREZZA ASSI D10 DIN-	CIRCLIP POUR AXE D10 CIRCLIP, BRAKE SHOE RETENTION	1	
31A		00000013512	SCHRAUBE 5M80X12 VITE 5M80X12	VIS SCREW, 5M80X12	1	
32A		00G03800781	KEILRIEMEN CINGHIA	COURROIE BELT	1	
33A		00G03800801	SICHERUNG PIASTRINA DADO	FREIN D'ECROU BRAKE	1	
34A		00G03800851	SEEGERRING ANELLO	CIRCLIP CIRCLIP	1	
35A		00G03800881	KUHLERSCHUTZ GRIGLIA RADIATORE SENDA-R	GRILLE RADIATEUR RADIATOR GRID	1	
36A		00G04800051	BUSHING GHIERA	DOUILLE BUSHING	1	
37A		00000002510	SCHRAUBE VITE TESTA ESAGONALE .5M80X10.	BOULON TETE HEX.5M80X10 HEXAGONAL HEAD SCREW 5M80X10	1	
38A		00G03801701	FLANSCH ATMUNGSSCHLAUCH WASSER FLANGIA TUBO RESPIRAZIONE STRB	BRIDE TUBE RESPIRATION RSERV OIL TANK FLANGE TUBE	1	
39A		00000012510	SCHRAUBE MIT HALBRUNDKOPF 5M80 VITE TESTA TONDA CROCE 5M80X10	VIS T. RONDE CROIX 5M80X10, DIN ROUNDHEAD PHILIPS SCREW, 5M80	1	

Husqvarna

BENZINTANK - SATTEL
SERBATOIO - SELLA
RESERVOIR - SELLE
FUEL TANK - SEAT

MODELLE / MODELLOS
MODELE / MODELS:
HUSQVARNA WRS 50

Bld
Stam.
Feuille
Diagr.
3



Figr.	Vers.	KODEX CODICE CODE	BEZEICHNUNG / DENOMINAZIONE / DESIGNATION / NAME	MODELL / MODELLI MODELES / MODEL	N. Rahmen N° Telaio N° Cadre Frame Nr.	Bhd Stampa Feuille Diagram 6
27A		00F00910291	KUPPLUNGSHEBEL LEVA FRENO POST. V.SPORT-R	LEVIER FREIN ARRIERE LEVER, REARBRAKE	1	
28A		00G01702701	BLINKLICHTUMSCHALTER HUNTER COMPLESSO COMMUTATORE INDICATO	ENSEMB.COMMUT.POUR CLIGNOTEUR INDICATOR SWITCH	1	
29A		00G00900211	SCHRAUBE F. HEBELGELENK R-COMPLESSO VITE SNODO MANOPOL	R-ENSEMB.VIS ARTICULATION MAN LEVER HINGE PIN SCREW ASSY	1	
30A		00F00900271	RUECKHOLFEDER BREMSHEBEL R- MOLLA RITORNO MANOPOLA 800.	R-RESSORT REC.MANETTE 800.02. LEVER RETURN SPRING	1	
31A		00G00902431	BREMSZUG-HINTEN SUBCOMPLESSO CAVO-FODERO FRENO	SOUS-ENS.CABLE-GAINE FREIN AR REAR BRAKE CABLE/SLEEVE ASSY	1	
32A		00G00901531	FEDER KABELFUEHRUNG MOLLA GUIDA CAVO FRENO POSTERI	RESSORT GUIDE CAB.FREIN AR.VM REAR BRAKE SPRING GUIDE	1	
33A		00004061600	INBUSSCHRAUBE 6M100X16.D-912/8 VITE T/BRUGO.6M100X16.D912.8.8	VIS T.CREUSE 6M100X16.D-912/8 ALLEN SCREW M6X16	1	
34A		00000031060	SCHEIBE D.6. RONDELLA PIATTA MECCANIZZATA D	ROND. PLATE MECANISEE D6DIN12 MACHINED FLAT WASHER D6 DIN-1	1	
35A		00D01000701	STOPSCHALTER VO. INTERRUPTORE COMANDO STOP	INTERRUPTEUR COMMANDEMENT STO SWITCH, STOP LIGHT	1	
36A		00004054500	SHRAUBE VITE	VIS ALLEN 5M80X45 BOLT, ALLEN 5MM0.80X45	1	
37A		00G05800251	DISTANZHILSE GEGENGEWICHT PADD DISTANZIALE CONTRAPPESO PADDOK	DOUILLE SPARATION CONTREPOID WASHER	1	
38A		00G02101012	HANDSCHUTZ RECHTS PROTETTORE MANOPOLA DESTRA	PROTECTEUR MANETTE DROITE RIGHT LEVER SHIELD	1	
39A		00G02101832	HANDSCHUTZ LINKS PROTETTORE MANOPOLA SINISTRA	PROTECTEUR MANETTE GAUCHE LEFT LEVER SHIELD	1	

Figr.	Vers.	KODEX CODICE CODE	BEZEICHNUNG / DENOMINAZIONE / DESIGNATION / NAME		MODELL / MODELLI MODELES / MODEL	N. Rahmen N° Telaio N° Cadre Frame Nr.	3rd Stamp Feuille Diagram 10
27A		00G00700051	HALTERUNG SPRITZSCHUTZ VORN HU SUPPORTO PARAFANGHI ANTERIORE	SUPPORT GARDE-BOUE AVANT HUNT FRONT MUDGUARD BRACKET	1		
28A		00011052201	GEWINDESCHNEIDSCHRAUBE 5X22 VITE AUTOFILETTANTE 5X22 NER	VIS TARAUD 5X22 NOIR CL89H SELF-TAPPING SCREW	1		
29A		00G01801941	ABZIEHBILD L. ADESIVO S.	ADHESIF G. DECAL L.	1		
30A		00G01801971	ABZIEHBILD R. ADESIVO D.	ADHESIF D. DECAL R.	1		

Figr.	Vers.	KODEX CODICE CODE	BEZEICHNUNG / DENOMINAZIONE / DESIGNATION / NAME	MODELL / MODELLI MODELES / MODEL	N. Motor N°. Motore N°. Moteur Engine Nr.	Bild Stampa Feuille Diagram 14
01A		00G03004631	MOTERGEHAEUSE COMPLESSO CARTER	ENSEMBLE CARTERS CRANKCASE ASSY	1	
02A		00G03001031	DICHTUNG MOTERGEHAUSE VAMOS-K. GUARNIZIONE CARTER VAMOS-K	JOINT DE CARTERS. VAMOS-K CRANKCASE GASKET	1	
03A		00G02201711	SILENTBLOCK MOTOR-BEF. SUBCOMPLESSO SILENTBLOCK FISSA	SOUS-ENS. SILENTBLOC FIX. MOT. ENGINE MOUNT BUSHINGS SUB-ASS	1	
04A		00G01800141	SILENTBLOCK STOSSD. SUBCOMPLESSO SILENTBLOCK AMM	SOUS-E. SILENTBLOC AMORTISSEUR SHOCK ABSORBER MOUNT BUSHING	1	
05A		00G03001021	ZENTRIERUNGEN MOTERGEHAEUSE VA CENTRATORE CARTER VAMOS-K	CENTREUR CARTERS VAMOS-K CRANKCASE LOCATOR	1	
06A		00G03002331	DECKEL UNTERSETZUNGSGETRIEBE H COPERCHIO RIDUTTORE HUNTER.	COUVERCLE DU REDUCTEUR HUNTER CRANKCASE COVER	1	
07A		00G06401031	DICHTUNG DECKEL UNTERSETZUNGSG GUARNIZIONE COPERCHIO RIDUTTOR	JOINT COUVERCLE REDUCTEUR VM. CRANKCASE COVER GASKET	1	
08A		00G03900821	BEF.-SCHRAUBE 6X30 VITE FISSAGGIO PIATTO MOTORINO	BOULON SERRAGE PLAT. DEMAR. H. 6 STARTER MOTOR SUPPORT PLATE S	1	
09A		00G03000211	BEF.-SCHRAUBE LI. GEHAEUSEHAEL VITE FISSAGGIO COPERCHIO CARTE	BOULON SERG. COUV. CARTER G. H. 6 LEFT CRANKCASE COVER SECURING	1	
10A		00G03001321	DICHTUNG DECKEL LI. GEHAEUSEHA GUARNIZIONE COPERCHIO CARTER S	JOINT COUVERCLE CARTER G. HUN LEFT CRANKCASE COVER GASKET	1	
11A		00G06403061	DECKEL LINKE GEHAEUSEHAELFTE M R-SUBCOMPLESSO COPERCHIO CARTE	R-SOUS-E. COUVERCLE CARTER G. A LEFT CRANKCASE COVER AND SHAF	1	
12A		00G04404991	PLAKETTE LI. GEHAEUSEHAE PIASTRINA COPERCHIO CART	PLAQUE COUV. CARTER G. HU LEFT CRANKCASE COVER SHI.	1	
13A		00G03000081	OELEINLASS-SCHRAUBE VAMOS-K. VITE RIEMPIMENTO OLIO VAMOS K	VIS DE REMPLISSAGE D'HUILE. V OIL FILLER CAP	1	

Figr.	Vers.	KODEX CODICE CODE	BEZEICHNUNG / DENOMINAZIONE / DESIGNATION / NAME	MODELL / MODELLI MODELES / MODEL	N. Motor N° Motore N° Moteur Engine Nr.	Bild Stampa Feuille Diagram 17
40A		00D02600631	SCHEIBE RONDELLA FERMO MOLLA FRIZIONE	ROND.BUTEE RESSORT EMBRAYA.4- 1 CLUTCH SPRING STOP WASHER		

Flgr.	Vers.	KODEX CODICE CODE	BEZEICHNUNG / DENOMINAZIONE / DESIGNATION / NAME	MODELL / MODELLI MODELES / MODEL	N. Rahmen N° Telaio N° Cadre Frame Nr.	SHD Stampa Feuille Diagram 3
01A		00G00405011	BENZINTANK HUNTER SERBATOIO BENZINA	RESERVOIR ESSENCE HUNTER FUEL TANK HUNTER	1	
02A		00G00400131	TANKDECKEL COMPLESSO TAPPO SERBATOIO	ENS. BOUCHON RESERV. ESSENCE V. FUEL TANK CAP	1	
03A		00F00400771	SCHEIBE F. TANKDECKEL R-RONDELLA TAPPO SERBATOIO	R-RONDELLE BOUCHON RESERVOIR FUEL TANK WASHER	1	
04A		00G04302181	BENZINSTANDGEBER HUNTER COMPLESSO GALLEGGIANTE BENZINA	ENSEMBLE FLOTTEUR ESSENCE HUN FUEL LEVEL FLOAT ASSY	1	
05A		00G03701081	OELTANK HUNTER SERBATOIO OLIO HUNTER	RESERVOIR HUILE HUNTER OIL RESERVOIR HUNTER	1	
06A		00F03710241	STOPFEN OELTANK COMPLESSO TAPPO SERBATOIO OLIO	ENS. BOUCHON RESERV. HUILE SCO OIL FILLER PLUG	1	
07A		00G03702051	OELSTANDANZEIGER HUNTER COMPLESSO INDICATORE LIVELLO	ENSEMBLE JAUGE D'HUILE HUNTER OIL LEVEL INDICATOR ASSY	1	
08A		00G03700411	OELFILTER COMPLESSO FILTRO OLIO	ENSEMBLE FILTRE A HUILE OIL FILTER ASSY	1	
09A		00G00622011	SITZ COMPLESSO SELLA	ENSEMBLE SELLE SADDLE ASSY	1	
10A		00G00400181	KRAFTSTOFFHAHN UNTERDRUCK COMPLESSO RUBINETTO BENZINA	ENSEMBLE ROBINET ESSENCE FUEL COCK ASSY	1	
11A		00F03740112	OELAUSSLASSROHR 91.EXP TUBO USCITA SERBATOIO OLIO	TUY SORT. RESERV. HUILE SCO/91 OIL RESERVOIR OUTLET PIPE	1	
12A		00008204500	BEF.-SCHELLE F. HAHN 16-26 FASCETTA FISSAGGIO RUBINETTO 1	BRIDE FIXATION ROBINET. 16-25. FUEL COCK SECURING CLAMP	1	
13A		00G06202061	KRAFTSTOFF-UNTERDRUCKLEITUNG H TUBO DEPRESSIONE BENZINA HUNTE	TUYAU DE PRESSION ESSENCE HUN FUEL COCK VACUUM TUBE	1	

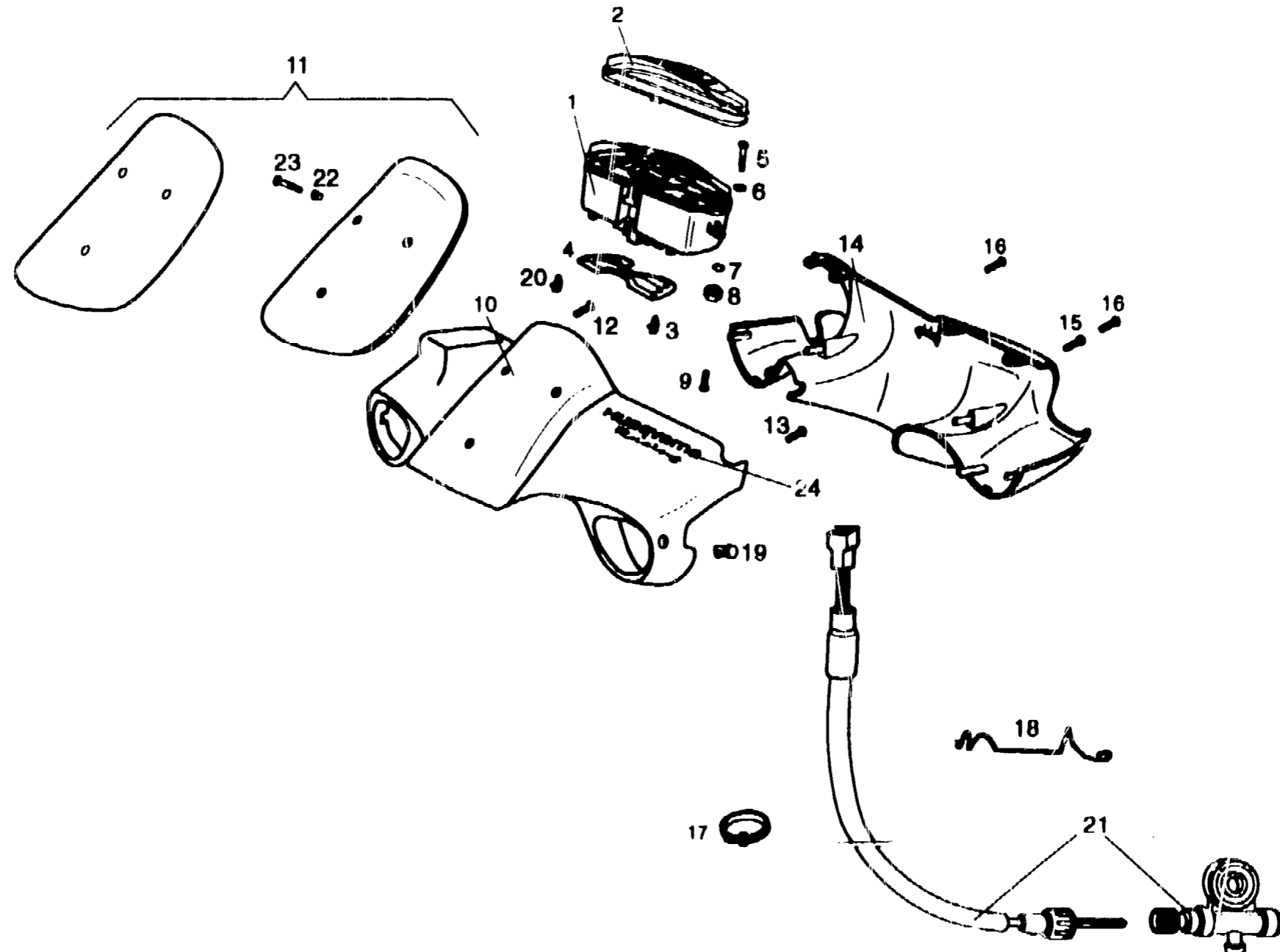
Figr.	Vers.	KODEX CODICE CODE	BEZEICHNUNG / DENOMINAZIONE / DESIGNATION / NAME	MODELL / MODELLI MODELES / MODEL	N. Rahmon N°. Telaio N°. Cadre Frame Nr.	Bild Stampa Feuille Diagram 6
40A		00012152000	SCHRAUBE VITE TONDO CROCE 5M80X20 D7985	VIS CRUCIFORME 5M80X20 DI.7985 SCREW 5M80X20 DIN 7985	1	
41A		00000031050	SCHEIBE D.5 DIN125 RONDELLA PIATTA MECCANIZZATTA	ROND.PLATE MECANISEE D.5 D.125 MACHINED FLAT WASHER D.5	1	
42A		00G02100401	SILENTBLOCK SUBCOMPLESSO SILENTBLOCK FISSA.	SOUS-ENS.SILENTBLOC FIX. PROT. LEVER SHIELD SECURING BUSSING	1	
43A		00008053500	SCHRAUBE MIT HALBUNDKOPF 5M80 VITE TESTA TONDO ALLEN 5M80X35	VIS.T. RONDE CREUSE 5M80X35 ALLEN ROUND HEAD SCREW	1	
44A		00D02600631	SCHEIBE RONDELLA FERMO MOLLA FRIZIONE	ROND.BUTEE RESSORT EMBRAYA. CLUTCH SPRING STOP WASHER	1	
45A		00G02101401	BUCHSE BREMSHEBEL GHIERA FISSAGGIO PROTETTORE	DOUILLE SERRAGE PROTEC.MANETT. LEVE SHIELD SECURING BUSHING	1	

Husqvarna

**VERKLEIDUNGSTEILE - INSTRUMENTE BLINKLEUCHTEN
MONTAGGIO TELAIO - CRUSCOTTO COMPLETO
MONTAGE CHASSIS - TABLEAU DE BORD
FRAME ASSEMBLY - SPEEDOMETER AND COMPONENTS**

**MODELLE / MODELLOS
MODELE / MODELS:
HUSQVARNA WRS 50**

**Bild
Starr.
Foil/
Diagr.
11**



Figr.	Vers.	KODEX CODICE CODE	BEZEICHNUNG / DENOMINAZIONE / DESIGNATION / NAME	MODELL / MODELLI MODELES / MODEL	N. Motor N° Motore N° Moteur Engine Nr.	Bld Stampa Feuille Diagram 14
14A		00G03000621	O-RING OEL-EYNLASS-SCHRAUBE ANELLO TORICO VITE RIEMPIMENTO	JOINT TORIQUE VIS REMPLIS.HUI OIL FILLER CAP O-RING	1	
15A		00G03000131	OELABLASS-SCHRAUBE 8M125X16.D- VITE SVUOTAMENTO OLIO 8M125X16	VIS VIDANGE HUILE 8M125X16.D- OIL DRAIN PLUG	1	
16A		00G03000121	OELABLASS-SCHEIBE VAMOS-K. RONDELLA SVUOTAMENTO OLIO VAMO	RONDELLE VIDANGE HUILE VAMOS- OIL DRAIN PLUG WASHER	1	
17A		00G03000601	GASAUSSLASS-STUTZEN MOTORGEHAEU RACCORDO USCITA GAS CARTER	RACCORD EVACUATION GAZ CARTER CRANKCASE BREATHER TUBE CONNE	1	
18A		00G03000651	ZAGLEITUNG MOTOR TUBO RESPIRAZIONE MOTORE	TUBE EVACUATION MOTEUR ENGINE BREATHER TUBE	1	
19A		00G01200151	DREHACHSE BREMSBACKEN ASSE GIRO GANASCE	AXE MOUVEMENT GIRATOIRE MACHO BRAKE SHOE SHAFT	1	
20A		00023108000	MUTTER SELBSTS DADO AUTOBLOCCANTE 8M125.D-985	ECROU INDESSERABLE 8M125.DIN9 SELF-LOCKING NUT M8	1	
21A		00G03001091	BEF.-SCHRAUBE MOTORGEHUSE (6X VITE FISSAGGIO CARTERS (6X35)	BOULON SERRAGE CARTERS (6X35) CRANKCASE SECURING SCREW	1	
22A		00G03002091	GEHAEUSE-BEF.-SCHRAUBE (6X40) VITE FISSAGGIO CARTERS (6X40)	BOULON SERRAGE CARTERS (6X40) CRANKCASE SECURING SCREW	1	
23A		00G03003091	GEHAEUSE-BEF.-SCHRAUBE (6X50) VITE FISSAGGIO CARTERS (6X50)	BOULON SERRAGE CARTERS (6X50) CRANKCASE SECURING SCREW	1	
24A		00G02500061	VERGASER-ANSAUGSTUTZEN HUNTER ATTACCO CARBURATORE HUNTER	BUSE DU CARBURATEUR HUNTER INTAKE MANIFOLD W/REED VALVE	1	
25A		00G03702181	BEF.-FLANSCH OELLEITUNG-STUTZE FLANGIA FISSAGGIO TUBO OLIO PO	BRIDE FIX.TUYAU HUILE POMPE-B PUMP INLET OIL TUBE SECURING	1	
26A		00G02501051	DICHTUNG VERGASER-ANSAUGSTUTZE GIUNTO ATTACCO CARBURATORE VAM	JOINT BUSE CARBURATEUR VAMOS- INLET MANIFOLD GASKET	1	

Husqvarna

WERKZEUG - SPEZIAL WERKZEUG
ACCESSORI NORMALI - ACCESSORI ESPECIALE
OUTILS FOURNIS - OUTILS D'ATELIER
NORMAL ACCESORIES - SPECIAL TOOLS

MODELLE / MODELLOS
MODELE / MODELS:
HUSQVARNA VRS 50

Bild
Stam.
Feuille
Diagr.
18

WERKZEUG
ACCESSORI NORMALI
OUTILS FOURNIS
NORMAL ACCESORIES

SPEZIAL WERKZEUG
ACCESSORI ESPECIALE
OUTILS D'ATELIER
SPECIAL TOOL

